

# Submittal Sheet

## VTX Series

### Inline Centrifugal Fans

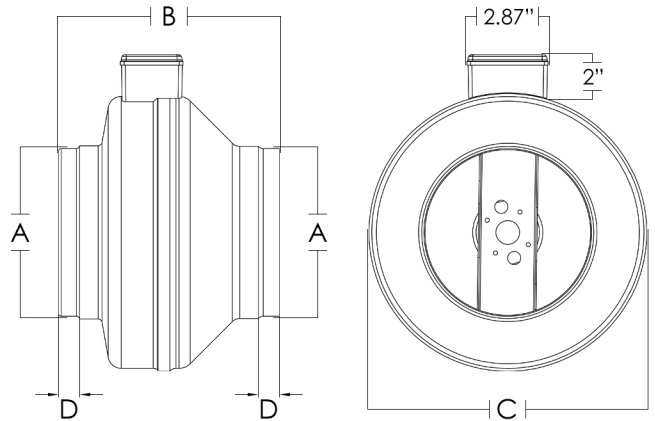
#### Standard Features

- Brackets included for wall or ceiling mount
- Permanently lubricated sealed bearings
- External rotor motor with automatic reset thermal overload protection
- Suitable for airstream temperatures up to 140°F (60°C)
- 10 year manufacturers warranty
- ETL Listed
- 4" to 12" duct diameters
- From 220 to 1124 CFM
- Aerodynamic design allowing more air flow
- 100% speed controllable easing air flow adjustment
- Prewired with 120V power cord
- AMCA Air Listed

Fan Model	A	B	C	D	Ship Wt	Metal Gauge
VTX400	4.0	8.5	9.5	1.0	8.6	18
VTX500	5.0	8.5	9.5	1.0	8.4	18
VTX600L	6.0	8.5	9.5	1.0	8.4	18
VTX600	6.0	10.5	13.0	1.0	13.8	18
VTX800L	8.0	10.5	13.0	1.0	15.0	18
VTX800	8.0	10.5	13.0	1.0	15.0	18
VTX1000	10.0	10.5	13.0	1.0	15.2	18
VTX1200L	12.0	12.3	16.0	1.0	18.6	18
VTX1200	12.0	12.3	16.0	1.0	18.0	18

All dimensions in inches

Weights in pounds



Fan Specifications						Motor Specifications			
Fan Model	Qty	CFM	SP	RPM	Sones	Watts	Volts	Phase	Hertz

Accessories	1	2	3	4	Remarks

Project \_\_\_\_\_ Submitted \_\_\_\_\_  
 Customer \_\_\_\_\_ Approved \_\_\_\_\_  
 Location \_\_\_\_\_