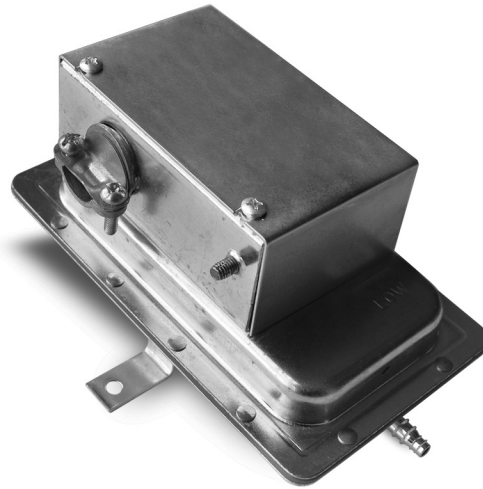
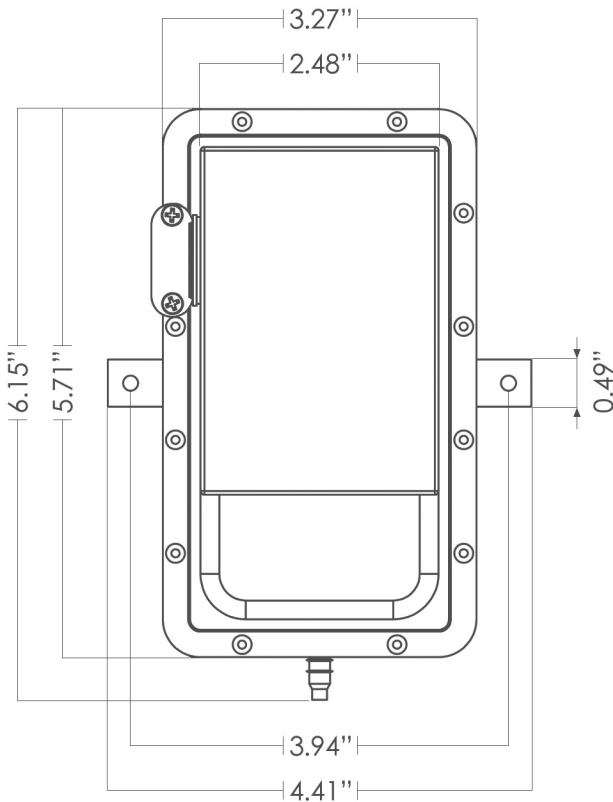


# Pressure Switch

PSW



## Specifications

### Model APS-0001

### Air pressure sensing switch with fixed set point

**Mounting position :** Mount with the diaphragm in any vertical plane to obtain specified operating set point.

**Set point :** Fixed to operate on pressure rise at  $0.05 \pm 0.02$ "w.c.  
( $1.27 \pm 0.508$  mm)

**Switching differential (approximate) :**  
 $0.02 \pm 0.01$ "w.c.  
( $0.508 \pm 0.254$  mm w.c.)

**Measured media :** Air, or combustion byproducts that will not degrade silicone.

**Maximum pressure :** 1/2 psi (0.03 bar)

### Operating temperature range :

-40°F to 180°F  
(-40.0°C to 82.2°C)

**Life :** 100,000 cycles minimum at 1/2 psi maximum pressure each cycle and at maximum rated electrical load.

**Electrical rating :** 300 VA pilot duty at 155 to 277 VAC, 15 amps noninductive to 277 VAC, 60 Hz.

**Contact arrangement :** SPST-NO

**Electrical connections :** Screw-type terminals.

**Sample line connector :** Barbed 1/8" - 1/4" slip-on connector accepts flexible tubing.

**Shipping weight :** 1.2 lbs.

**Approvals :** ETL

## Functional specifications

Integral recycling delay timer with 10 minutes ON, 15 seconds OFF cycle, 120 volt input.

**Power :** 120 VAC +10%/-15%, 50/60 Hz.

**Timing range :** 10 minutes (600 seconds)  $\pm 10\%$

**Output :** SPST NO relay rated for 8 amps (resistive) @ 250 VAC or 1/8 hp @ 250 VAC.

**Electrical connections :** Terminal block with clamp-type screw connector suitable for 12-26 AWG.

**Temperature range :** -40° to 140°F (-40° to 60°C).

