



Model APS

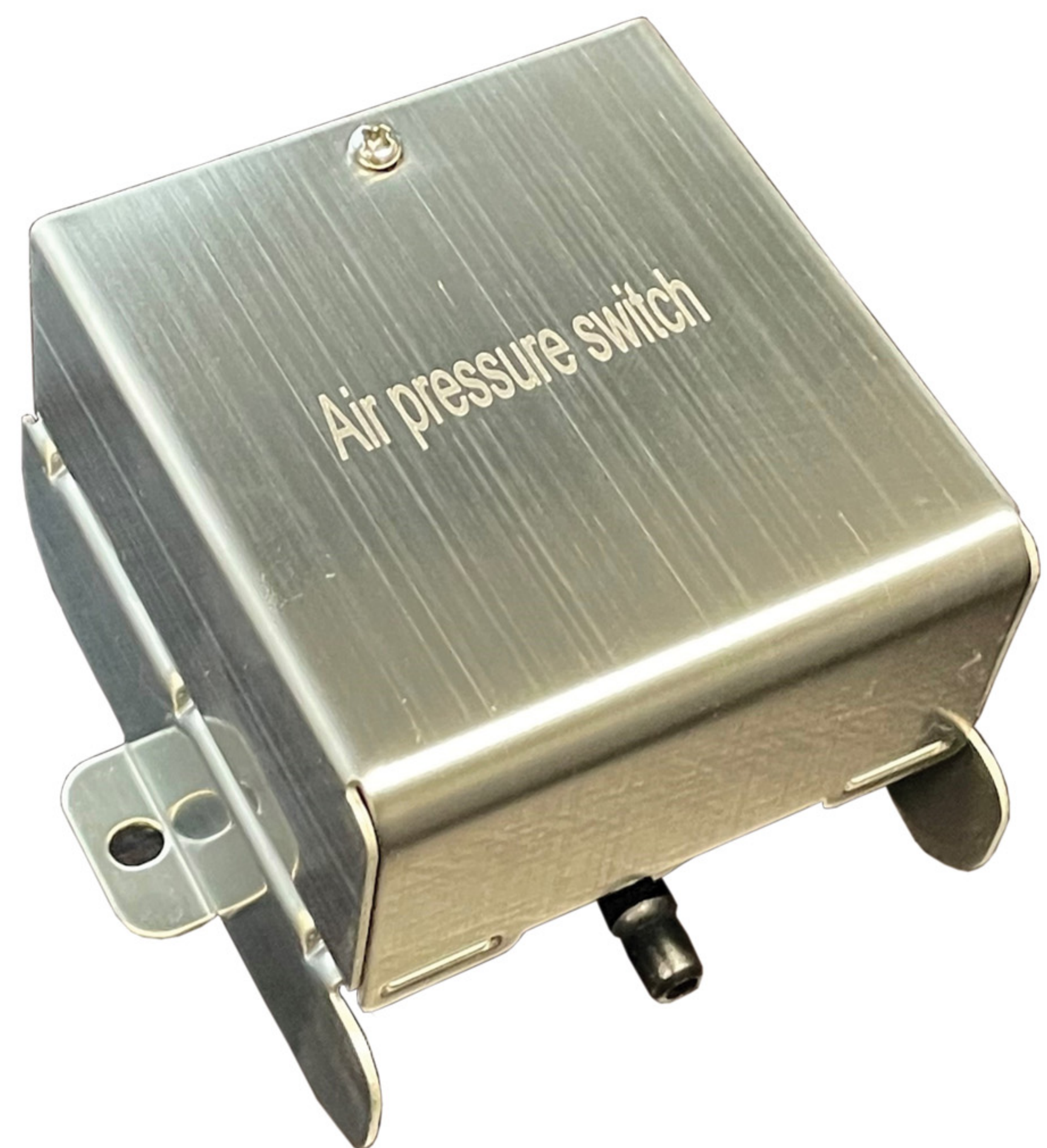
Air pressure sensing switch with electrical cycle timing board

Application

Model **APS** is an airflow proving switch with an electronic cycle timing board for HVAC application. It can be used to sense positive air pressure and activate an auxiliary fan. The **APS** is equipped with a convenient barbed sample line connector that accepts flexible tubing.

General description & operation

The stainless steel housing contains a diaphragm with a snap acting SPST switch. The barbed sample line connection is located on the high pressure side of the diaphragm. The SPST snap action switch operates on pressure rise of 0.05" w.c. \pm 0.02 w.c. The cycle timing board functions as an integral recycling delay timer.



Electrical connection (Figures 1)

Please note the following steps must only be carried out by a qualified electrician.

The APS is supplied with an already connected 15.5" long 18 AWG wire. For hard wiring refer to figure 1 for timer module wiring diagram.

Air sampling connection (Figure 2)

The **APS** is equipped with a barbed 1/4" slip-on sample line connection situated on the high pressure side of the diaphragm as shown in figure 2. The connection is suitable for flexible tubing.

Mounting (Figure 3)

Select a mounting location which is free from vibration. The **APS** must be mounted with the diaphragm in any vertical plane in order to maintain the specified operating set point. Avoid mounting with the sample line connection in "up" position. Surface mount via the two 3/16" diameter holes on the bracket.

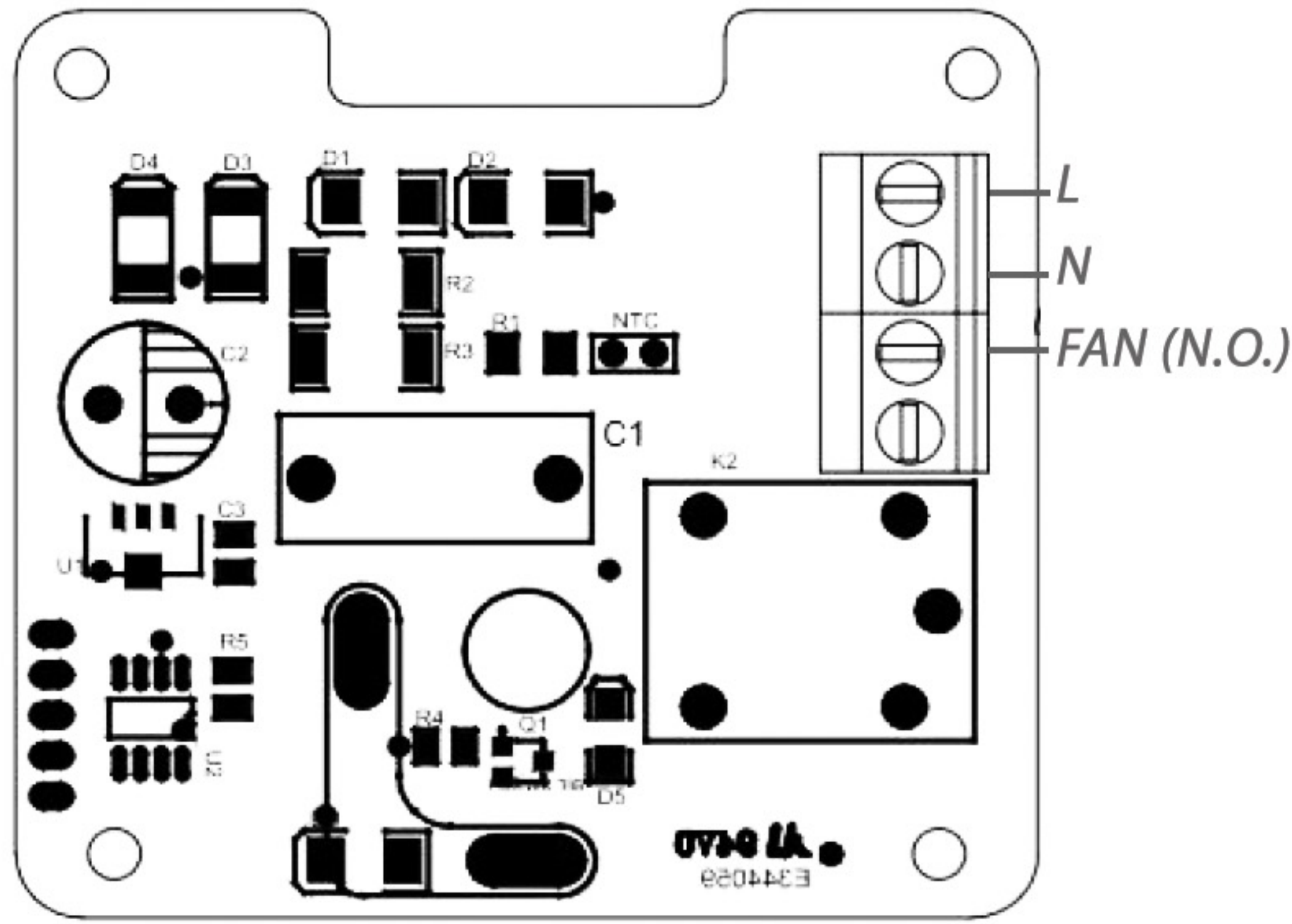
Atmosphere Inc.

Ventilation products manufacturer
2480 Boul. des Entreprises
Terrebonne, QC J6X 4J8

WWW.ATMOSPHERE.COM

T: 450.477.1100
F: 514.313.5700
TF: 1.800.489.1301
info@atmosphere.com

Figure 1



TIMER MODULE

Figure 2

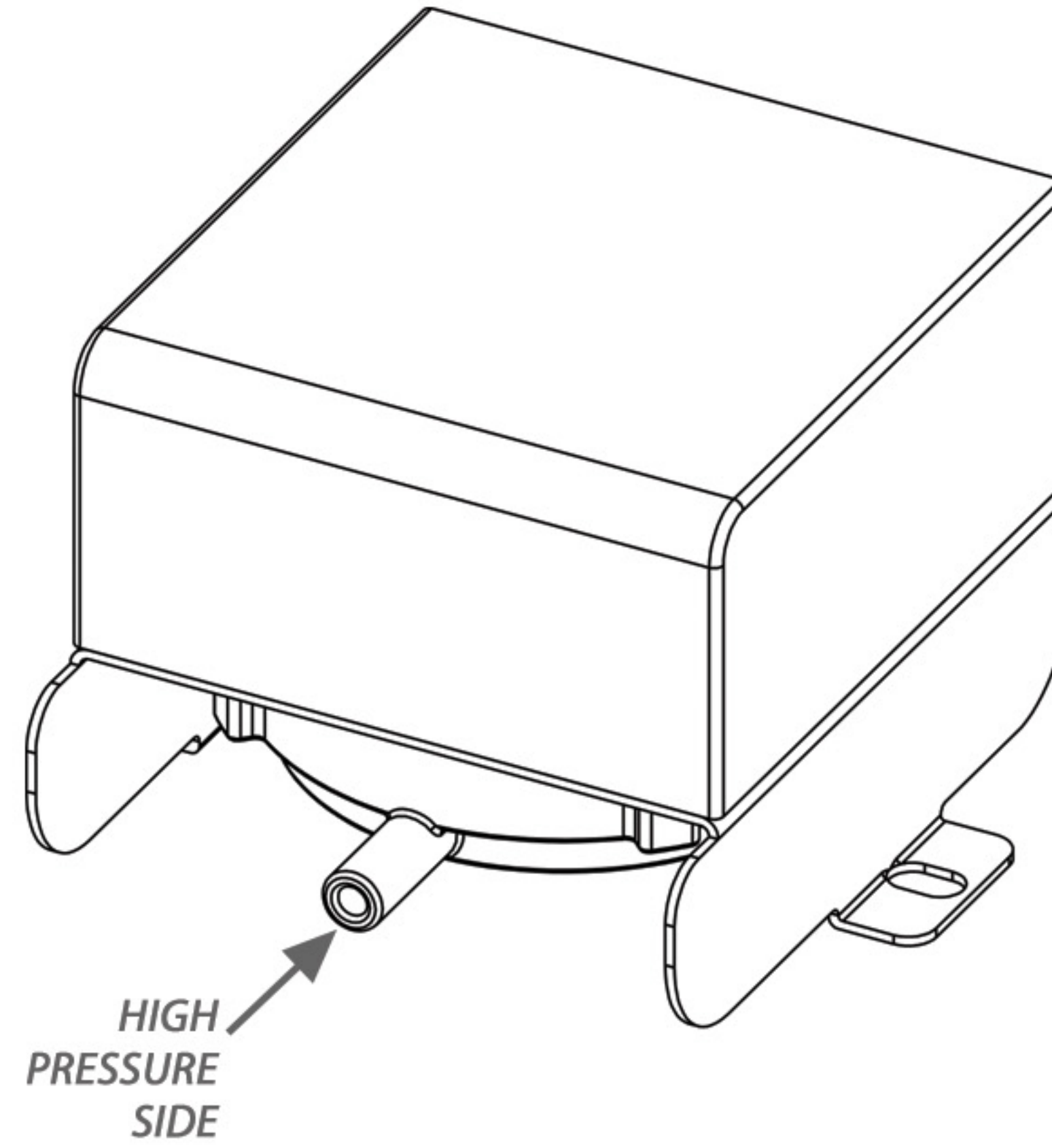


Figure 2 : The sample line connection is situated on the high pressure side of the diaphragm.

Figure 3

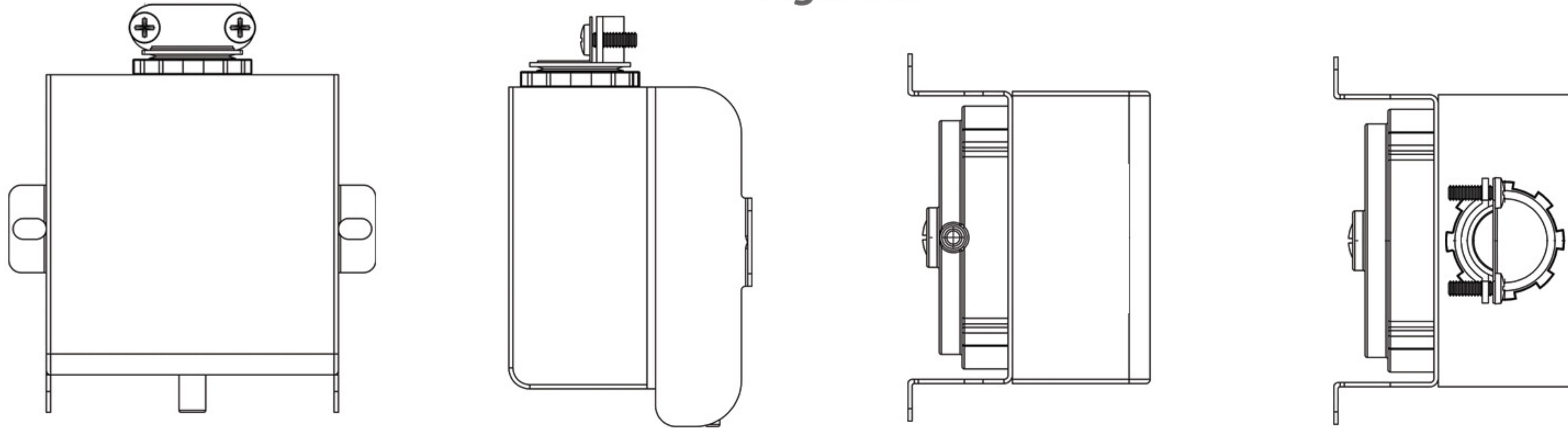


Figure 3 : Mount with the diaphragm in any vertical plane.

Specifications
Model APS
Air pressure sensing switch
with fixed set point

Mounting position :

Mount with the diaphragm in a vertical plane to obtain specified operating set point.

Set point :

Fixed to operate on pressure rise at 0.05 ± 0.02 "w.c.(1.27 ± 0.508 mm)

Adjustment screw range :

0.05 ± 0.02 "w.c. to 0.3 ± 0.02 "w.c.

Switching differential (approximate) :

0.02 ± 0.01 "w.c.
 (0.508±0.254 mm w.c.)

Measured media :

Air

Maximum pressure :

14"W.C.

Operating temperature range :

-40°F to 158°F
 (-40.0°C to 70°C)

Life :

100,000 cycles minimum.

Electrical rating :

3 amps @120 Vac 50/60 Hz.

Contact arrangement :

SPST-NO

Electrical connections :

Screw-type terminals.

Sample line connector :

Barbed 1/4" slip-on connector accepts flexible tubing.

Shipping weight :

1.2 lbs.

Approvals :

CSA

Functional specifications

Integral recycling delay timer with 10 minutes ON, 1 minute OFF cycle.

Power :

120 VAC +10%/-15%, 50/60 Hz.

Timing range :

10 minutes ON (600 seconds) ±10%
 1 minute OFF (60 seconds) ±10%

Output :

SPST NO relay rated for 3 amps @120 Vac

Electrical connections :

Terminal block with clamp-type screw connector suitable for 12-26 AWG.

Dimensions

