

ASS-115

Solid State Variable Speed AC Motor Control with light switch

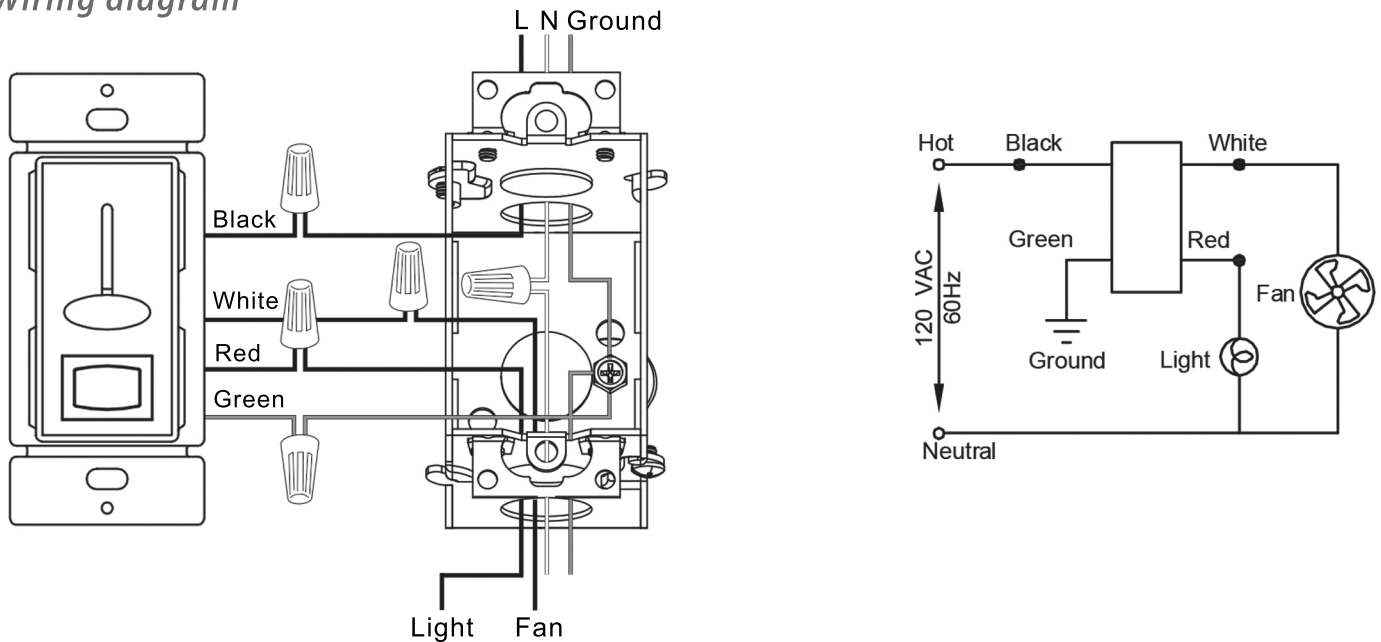
The variable speed motor control contains an On/Off line switch and a high gain RFI noise suppression filter.

MODEL	Control	Volts	Hz	Amps	Temperature
ASS-115	Fan Slider	115	50/60	2.5	104°F (40°C)
	Light Switch	115	50/60	3.0	104°F (40°C)

- . Fully Variable,
- . Slider-style fan control 5A
- . Toggle light switch 3A
- . Tough impact-resistant thermoplastic housing
- . 1 year warranty
- . Designed for mounting in a 2" X 4" electrical wall box



Wiring diagram



WHERE INNOVATION IS A STANDARD

WWW.ATMOSPHERE.COM



November 2023