

1 YEAR LIMITED WARRANTY

All **BC series** exhaust fans are warranted to be free from defective materials and workmanship for the period of one (1) year from the date of original purchase. In the event that we find any part is defective the product will be repaired or, in the Company's discretion, replaced without charge provided that the product has been installed in accordance with the enclosed instructions and all applicable EPA Standards and state and local building codes.

IF CLAIMING UNDER WARRANTY

Please return the complete product, freight prepaid, to your local authorized distributor. All returns must be accompanied by a valid Bill Of Sale. All returns must be clearly marked "Warranty Claim" with an accompanying description stating the nature of the fault.

Warranty does not apply to:

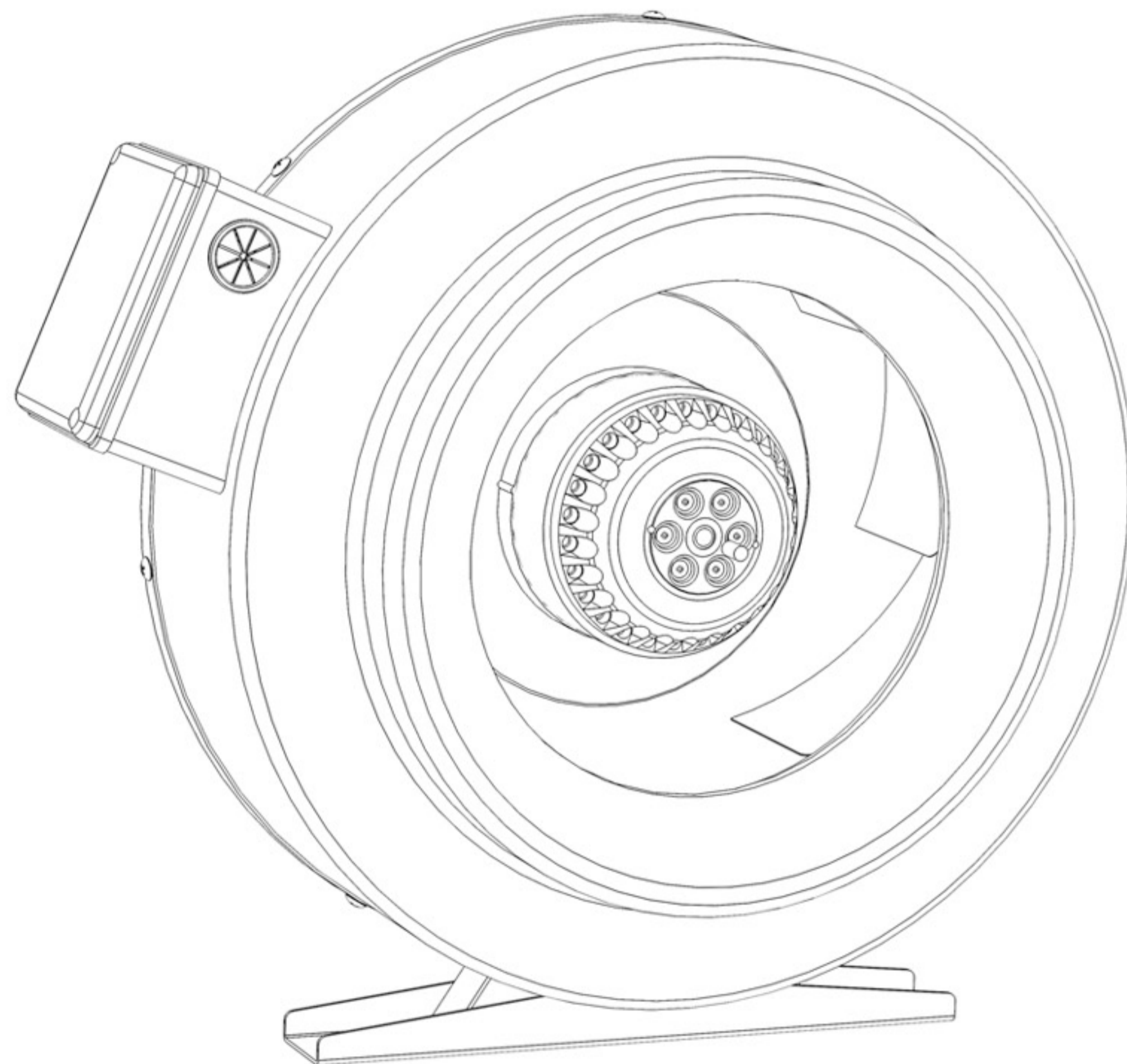
- 1 Shipping damage, either concealed or visible. Claims must be filled with the carrier.
- 2 Damage caused by improper installation or improper wiring, including incorrect electrical voltage.
- 3 Product which has been modified.
- 4 Damage caused by corrosion, abrasion or severe temperatures.
- 5 Product which has had the identification label removed or altered.
- 6 Product which has been subjected to improper maintenance, abuse, misuse, abnormal usage or accident.

WARRANTY VALIDATION The end user must keep a copy of the Bill of sale to verify purchase date.

THE ABOVE ONE (1) YEAR WARRANTY IS EXPRESSLY IN LIEU OF ALL OTHER WARRANTIES, EXPRESSED, WRITTEN OR IMPLIED, INCLUDING THE WARRANTIES OF MERCHANTABILITY AND FITNESS FOR USE. IN NO EVENT SHALL **ATMOSPHERE INC** BE LIABLE FOR ANY SPECIAL, CONSEQUENTIAL, OR INCIDENTAL DAMAGES, INCLUDING LOSS OF PROPERTY, REVENUES, LOST PROFITS, COST OF REMOVAL, INSTALLATION OR REINSTALLATION.



INSTRUCTIONS MANUAL



BC SERIES

BC400 BC500 BC600 BC800 BC1000 BC1200

CAUTION: Before carrying out any maintenance or servicing, ensure the unit is disconnected from the main supply. FOR GENERAL VENTILATION USE ONLY. DO NOT USE TO EXHAUST HAZARDOUS OR EXPLOSIVE VAPOURS.

WARNING - TO REDUCE THE RISK OF FIRE, ELECTRIC SHOCK, OR INJURY TO PERSONS, OBSERVE THE FOLLOWING:

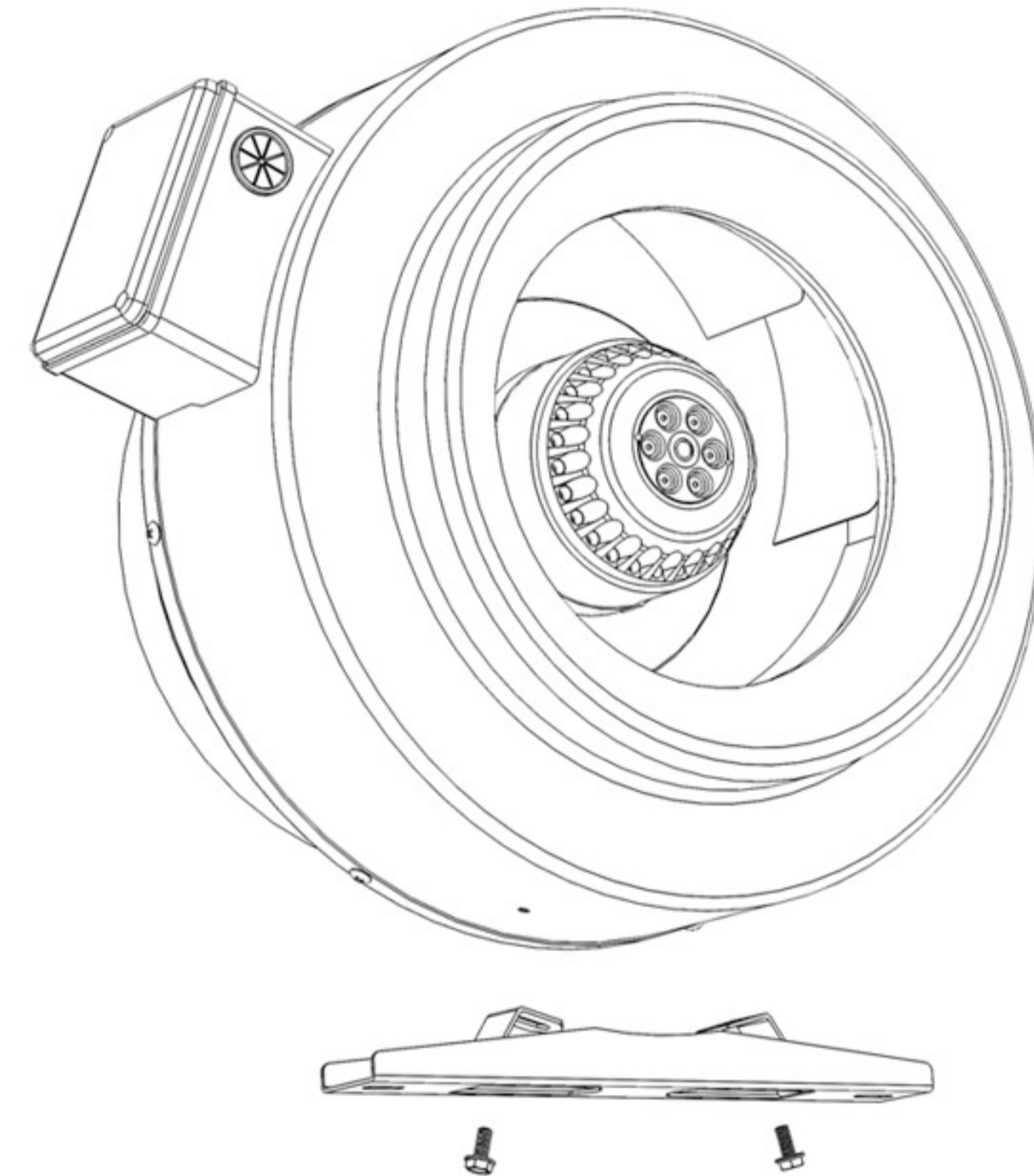
- a) Use this unit only in the manner intended by the manufacturer. If you have questions, contact the manufacturer.
- b) Before servicing or cleaning unit, switch power off at service panel and lock the service disconnecting means to prevent power from being switched on accidentally. When the service disconnecting means cannot be locked, securely fasten a prominent warning device such as a tag to the service panel.
- c) Installation work and electrical wiring must be done by a qualified person(s) in accordance with all applicable codes and standards, including fire-rated construction.
- d) When cutting or drilling into wall or ceiling, do not damage electrical wiring and other hidden utilities.
- e) To reduce the risk of electric shock do not expose to water or rain.
- f) This unit has an unguarded impeller. Do not use in locations readily accessible to people or animals.

MAINTENANCE:

All **BC series** exhaust fans incorporate sealed bearings and therefore do not require any lubrication. We would recommend inspection of the product at least once every six (6) months to avoid the excessive accumulation of dust and dirt on the impeller. To inspect the unit, disconnect from electrical supply and remove from ducting. If any debris is evident on the impeller, clean with a damp (not wet) cloth.

DO NOT USE any detergents or abrasive materials for cleaning.

DO NOT REMOVE balancing weight(s).



Install the mounting bracket by using the two screws located on the body of the fan as shown.

Wiring Diagram

IMPORTANT
ALL BC PRODUCTS INCORPORATE MOTORS SUITABLE FOR 120 Volts AC 60Hz ELECTRICAL SUPPLY ONLY.

