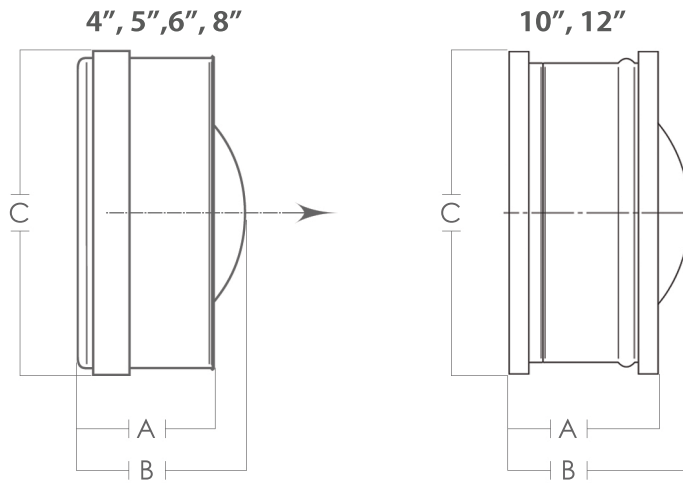
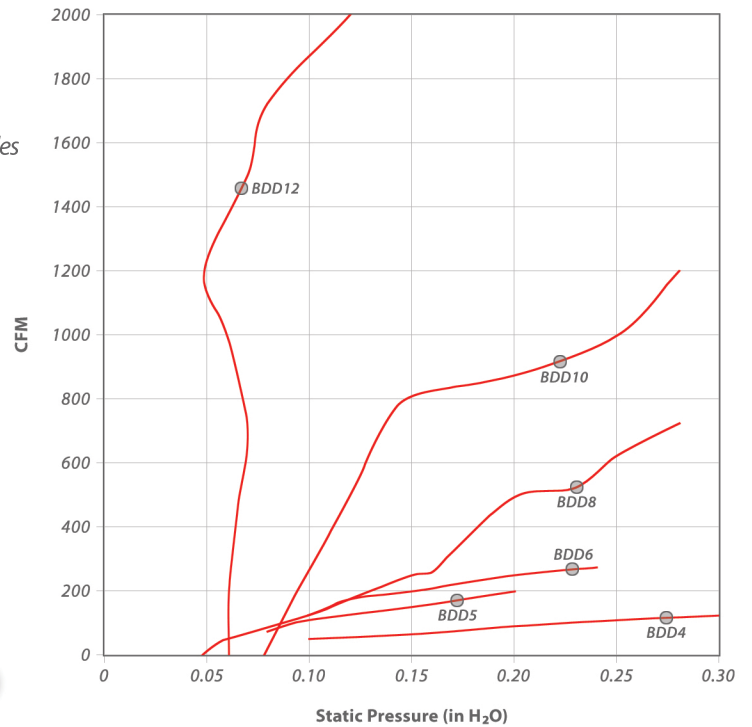
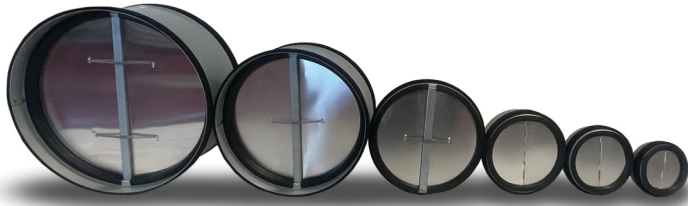


Spring Loaded Backdraft Dampers

WWW.ATMOSPHERE.COM

Features & Benefits

- Spring Loaded Backdraft Dampers
- Spring Loaded Backdraft Damper
- Neoprene damper seal minimizes leakage
- 20 gauge steel housing, aluminum spring loaded butterfly damper blades
- Gasket designed to withstand temperatures from -22 F to 180 F
- Requires from 0.04 to 0.08 in. wg pressure to open
- Simple installation, entire assembly inserts into duct
- Exterior foam gasket assures a tight seal against duct
- 4", 5", 6", 8" sizes include stamped metal sleeve with center pin design
- 10" & 12" sizes include rolled metal sleeve with center post design



MODEL	A	B	C (Nominal)	Gauge
BDD4"	1.8	2.0	4	20
BDD5"	2.0	2.5	5	20
BDD6"	2.5	3.0	6	20
BDD8"	2.8	3.8	8	20
BDD10"	4.8	6.0	10	20
BDD12"	6.3	6.8	12	20

All dimensions in inches



2480 Boul. des Entreprises Terrebonne, Quebec J6X 4J8 CANADA
 Telephone : 450 477.1100 Fax : 514 313.5700 Tollfree : 1 800 489.1301