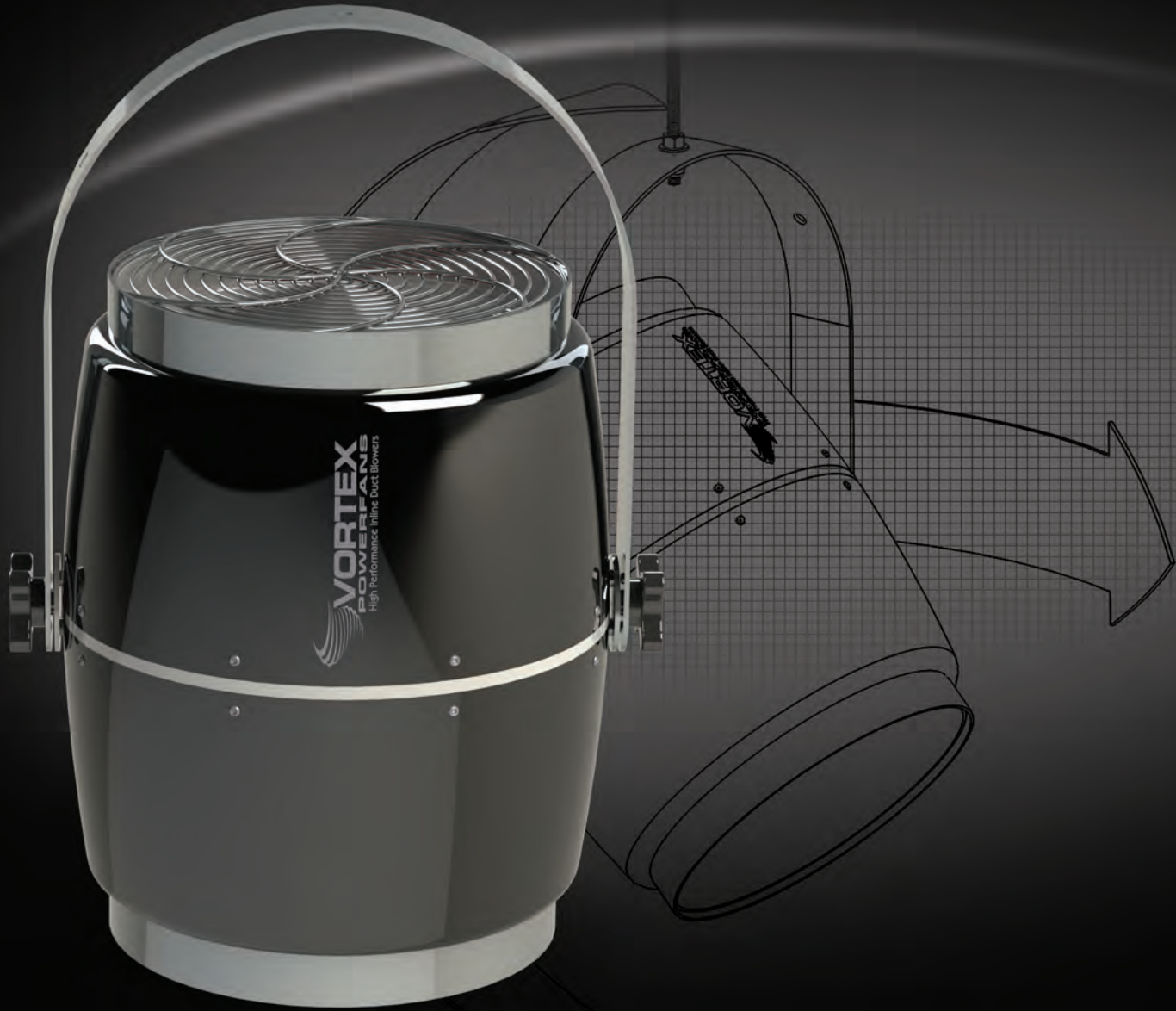


VORTEX[®]
POWERFANS
High Performance Destratification fan

D-65



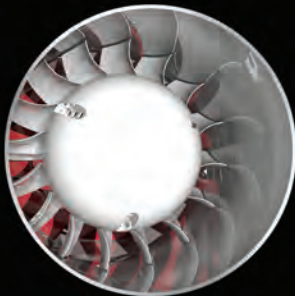
||| SMALL FANS, BIG SAVINGS! |||



Small fans, **BIG savings!**

DESTRATIFICATION FAN DESCRIPTION

The **Vortex D-65** creates uniform air temperatures from floor to ceiling for maximum thermal comfort and energy savings up to 35% in the heating season and up to 25% in the cooling season.



3D shaped vanes design stator converting rotational energy loss into a columnar air flow for longer straight throw.



Airflow can be directed along any vector for precision use. It is easy to angle the fan to direct airflow to hit or miss a particular area.



Vortex D-65 fans are powered by a mixed flow impeller resulting in an ultra-quiet operation.

WARRANTY: 10-years Limited warranty

- Includes 3 types of UL approved fast-mounting hardware
- Effective in facilities with ceiling heights from 15' to 75' high
- Quiet, energy-efficient fans, delivering a focused, easy-to-direct column of air
- Run independently of existing HVAC system
- Speed controllable, allowing fine-tuning for individual comfort

ETL certified for US and Canada Conforms to UL-507, CAN/CSA C22.2# 113

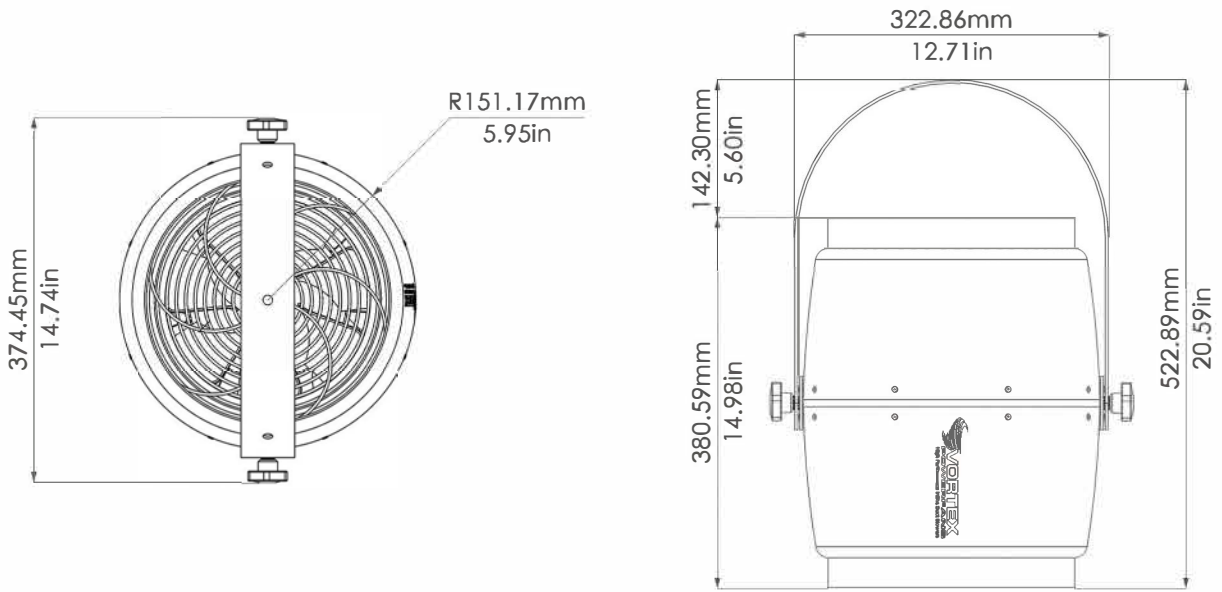


Where to consider using a destratification fan

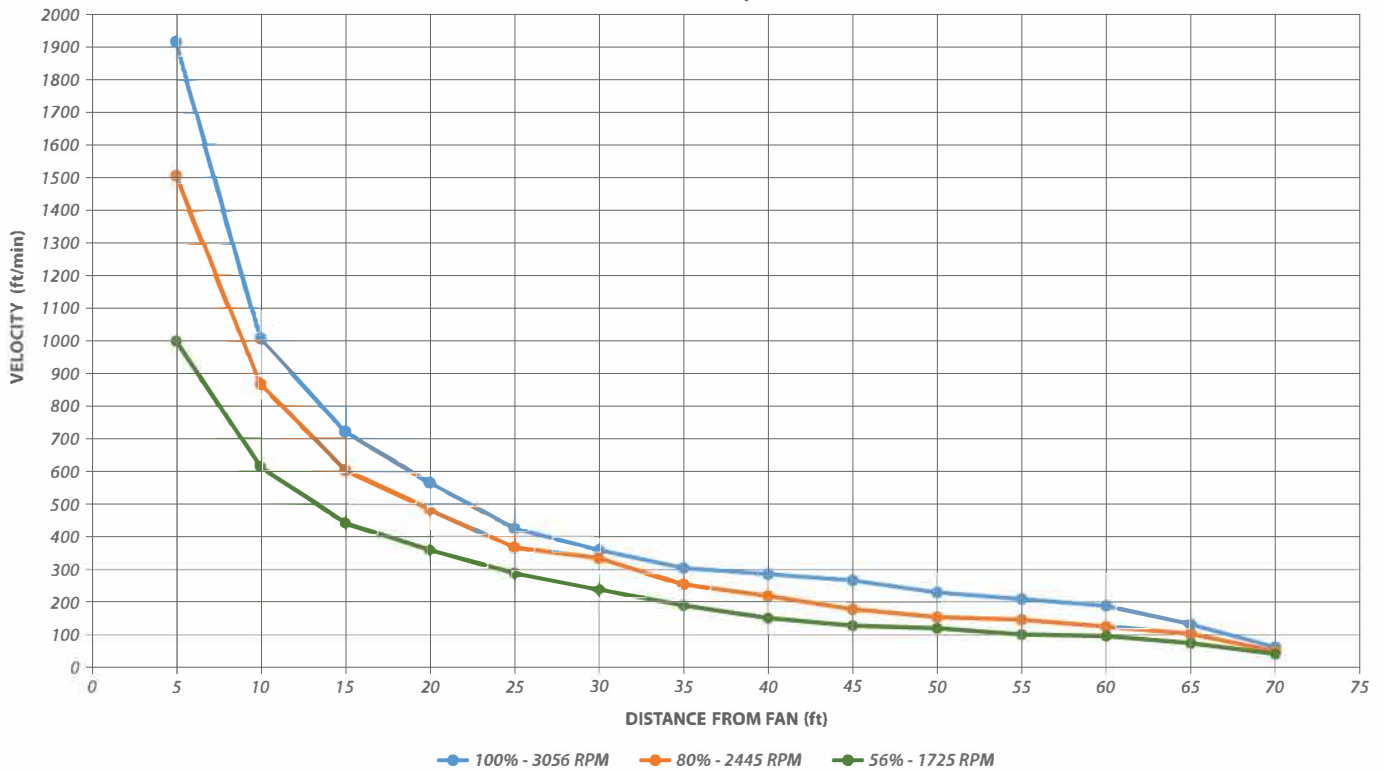
- In Grocery Stores
- Warehouses
- Airports | Hangers
- Auto Sales and Service
- Fleet Maintenance
- Arenas | Gyms | Athletic Facilities
- Retail | Restaurants
- Manufacturing Facilities
- Theaters | Auditoriums
- Medical Clinics | Hospitals
- Classrooms | Cafeterias

Specifications

| Weight | Max RPM | Volts | Watts | Amps | Max CFM | dB(A) |
|--------------------|---------|-------|-------|------|---------|-------|
| 15.62 lbs (7.1 kg) | 2800 | 120 | 232 | 2.1 | 1082 | 80 |



D-65 Velocity Chart



WHERE INNOVATION IS A STANDARD

WWW.ATMOSPHERE.COM



CONFORMS TO
UL 507 and
CSA C22.2
no.113





Customer support : info@atmosphere.com
Sales inquiries : sales@atmosphere.com

2480 Boul. des Entreprises Terrebonne, Quebec J6X 4J8 CANADA
T: 450.477.1100 F: 514.313.5700 TF: 1.800.489.1301
WWW.ATMOSPHERE.COM

FEBRUARY 2016
Item #: QMS-CAT-VTX-001