

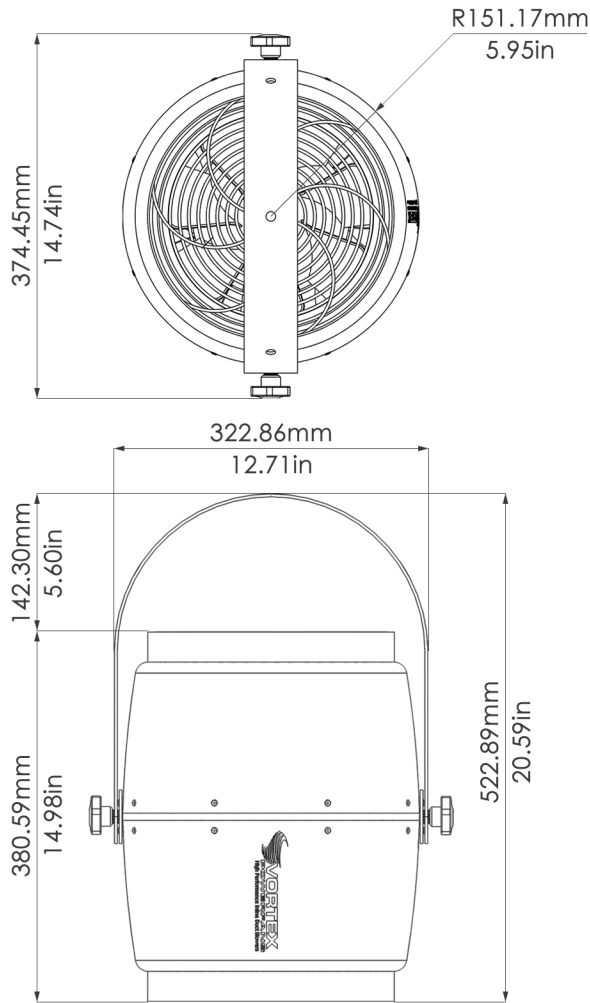
Submittal Sheet

D-65

Destratification Fan

Specifications

Weight	Max RPM	Volts	Watts	Amps	Max CFM	dB(A)	Mounting height	Coverage area
15.62 lbs (7.1 kg)	2800	120	232	2.1	1082	54	up to 65 ft.	2000 ft.



DESTRATIFICATION FAN DESCRIPTION

The **Vortex D-65** creates uniform air temperatures from floor to ceiling for maximum thermal comfort and energy savings up to 35% in the heating season and up to 25% in the cooling season

CERTIFICATION:

ETL certified for US and Canada Conforms to UL-507, CAN/CSA C22.2# 113

HOUSING:

PC resin, UL94 V0 flame resistance rating

MOTOR:

- Single phase, permanent split capacitor motor (variable speed with optional speed control)
- Motor is class F thermally protected
- **Operating temperature:** -13° F (-25° C) to 140° F (60° C)
- No lubrication required
- Bearings are sealed
- 6' cord and 3 prong plug provided for 120V

IMPELLER:

Mixed flow for high volume, longer throw and low sound level

STATOR:

3D shaped multi-vane stator significantly increases air throw to maximize performance

MOUNTING HARDWARE:

2 x 10' Quick attached toggle steel cable + beam clamp, 12" treaded rod and metal self tapping anchor

WARRANTY:

10 years (parts and workmanship)

ACCESSORIES (additional costs apply) **Speed Control** (coordinate w/ electrical requirement)

Item	Description	Qty
AVS-5 115	120V AC - 5A wall mounted speed control	
AVS-8 115	120V AC - 8A wall mounted speed control	

Project _____ Submitted by _____
 Customer _____ Approved by _____
 Location _____