

Dial-A-Temp

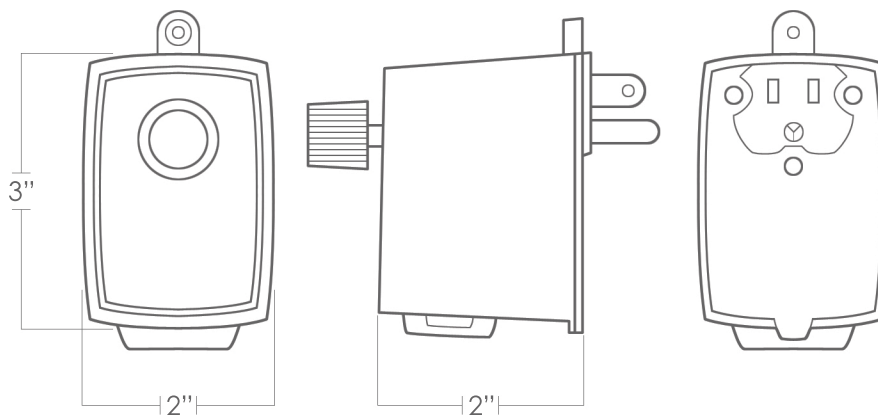
DAT

Solid State Variable Speed Control

The **DIAL-A-TEMP** is a long lasting, solid state motor control. It is both convenient and safe to install. Rugged construction inside and out... Used with thermally protected, permanent split capacitors (PSC), universal or shaded pole motors and packaged in a handsome fire- retardant thermoplastic enclosure.

Design Features:

- Plug-in design - no tools required
- UL Listed
- Fire retardant thermoplastic enclosure
- Rugged construction and compact
- On-Off switch, high to low variable
- No internal wiring - just plug in and enjoy
- One Year Warranty
- Helps reduce fan or blower noise
- Max input 120 V 2.5 A, 50/60 Hz
- Max output: 2.5 FLA, 6 LRA, 300W



WWW.ATMOSPHERE.COM

1 800 489.1301