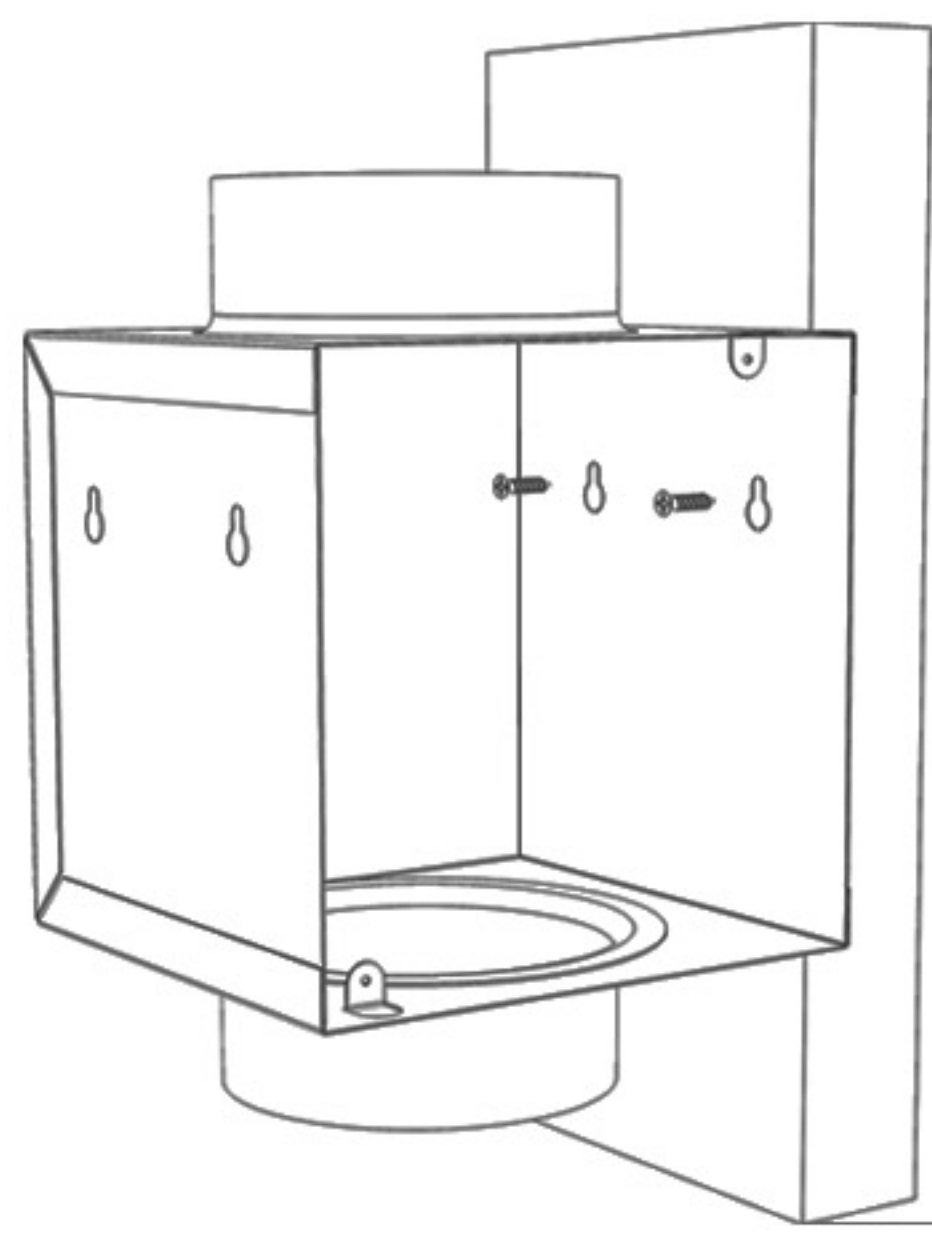


INSTALLATION

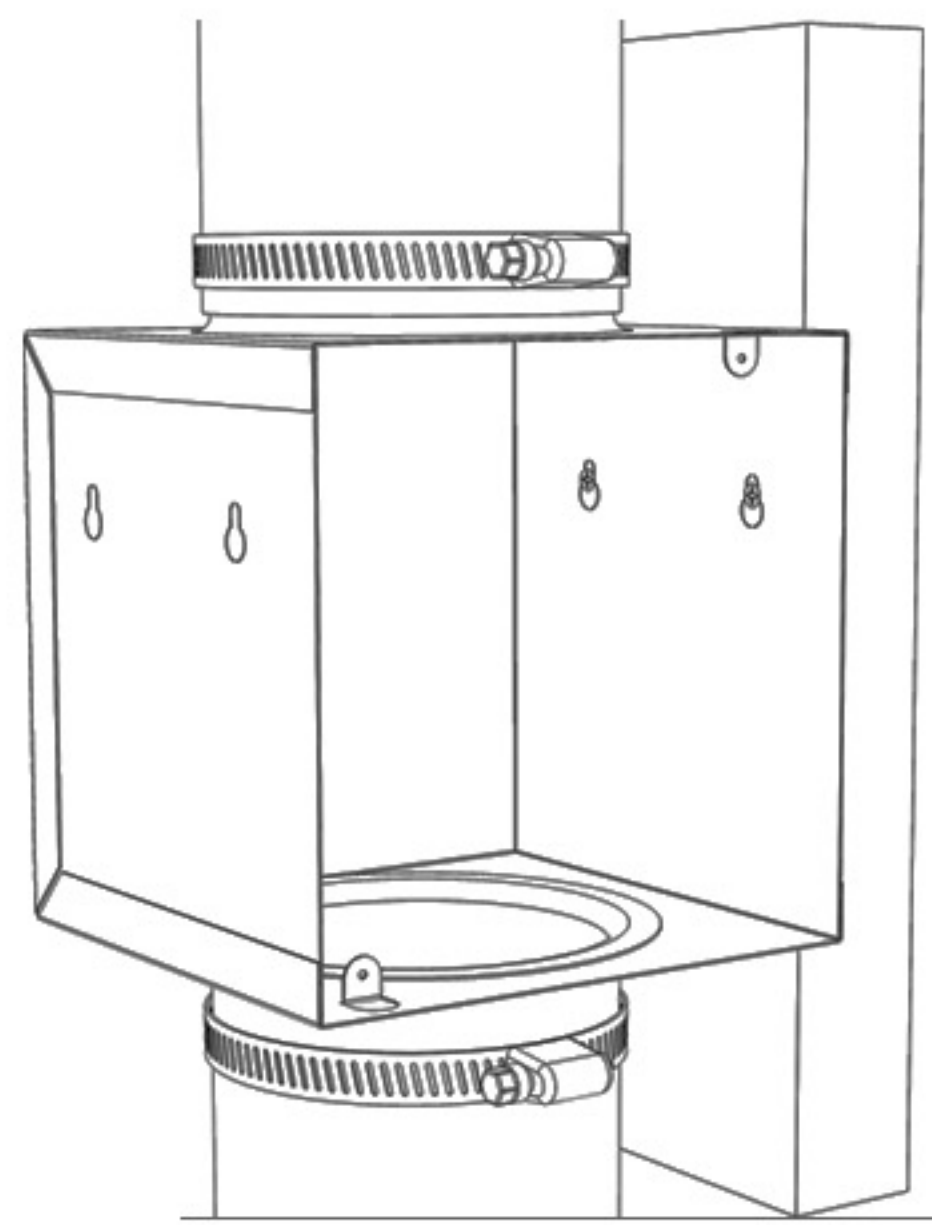
LT4 & LT4S

DIMENSIONS



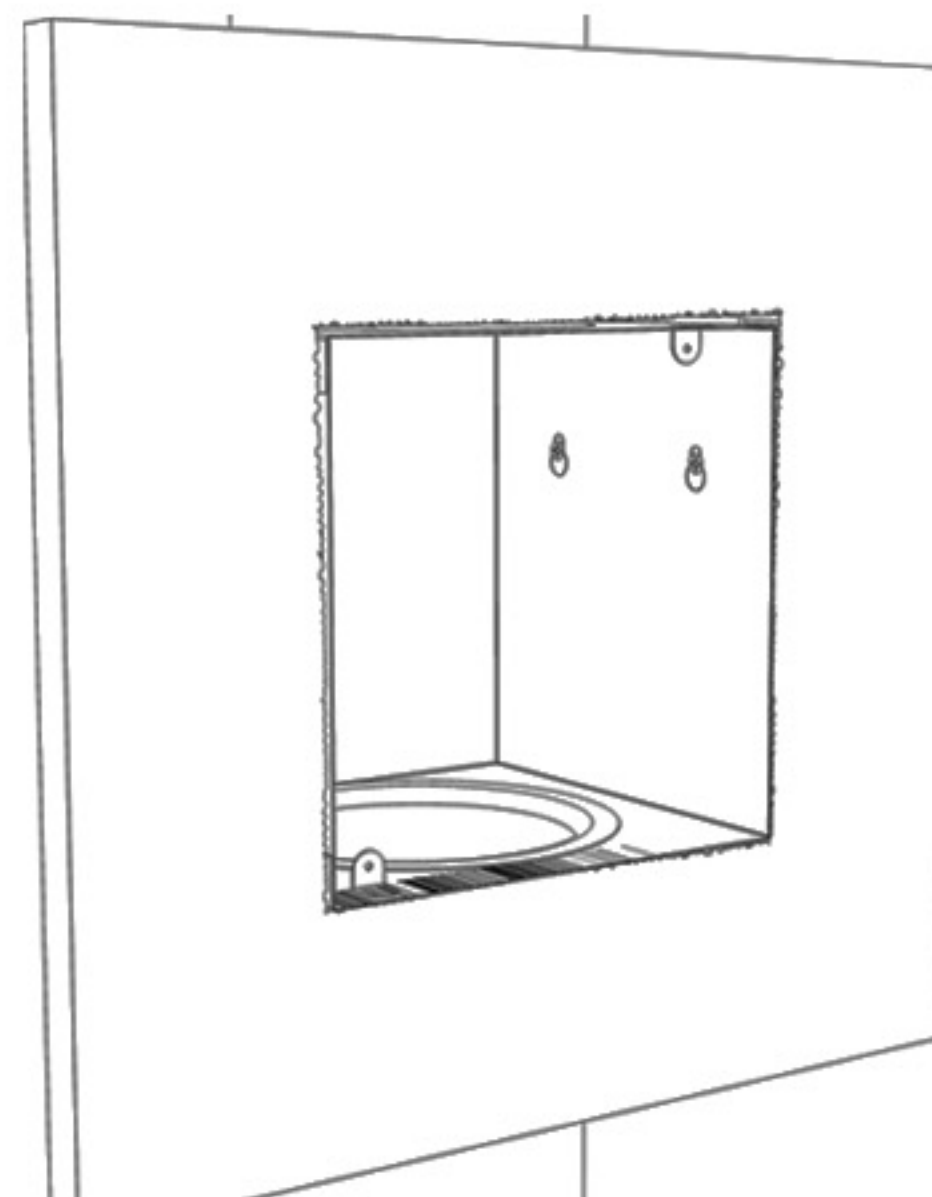
Mount the LT4 metal box to a stud with two screws (not supplied)

STEP 1



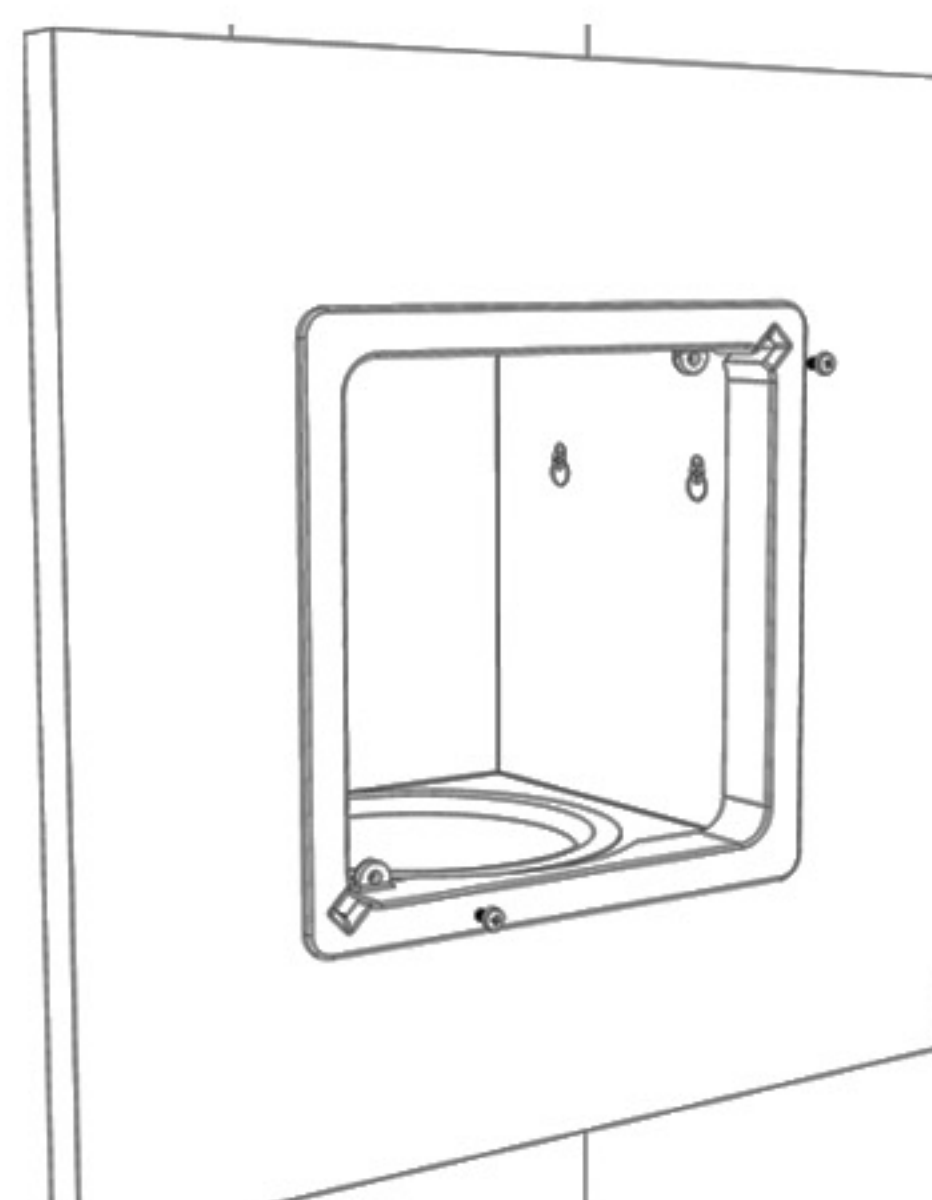
Install ductwork to each end collar and secure it with duct clamps. (do not use screws to fix the ductwork)

STEP 2



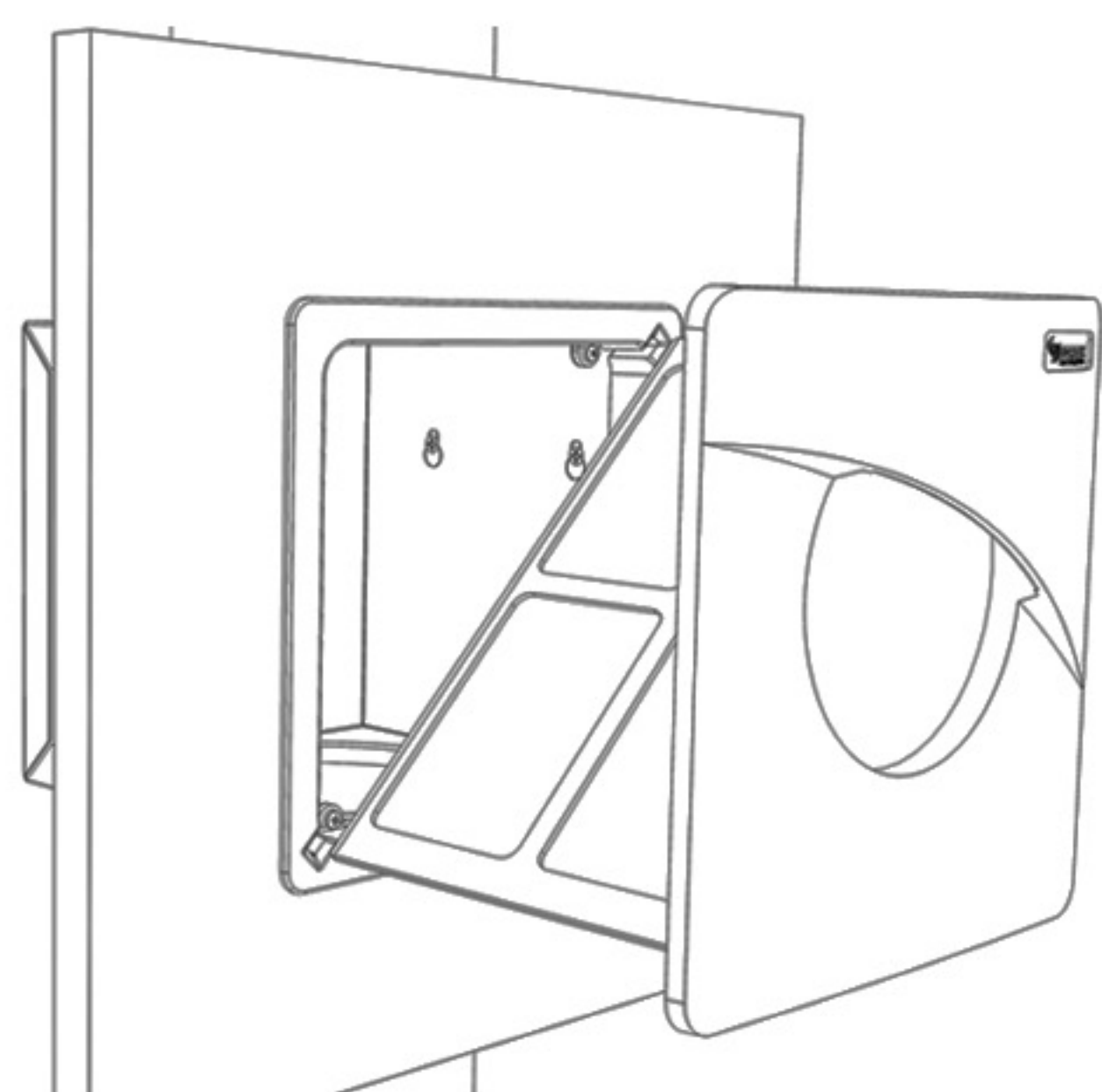
Install drywall and cut it along the edge of the box. The front edge of the metal box should be flush with the surface of the drywall.

STEP 3



Install the finishing frame to the box with the two stainless steel supplied screws.

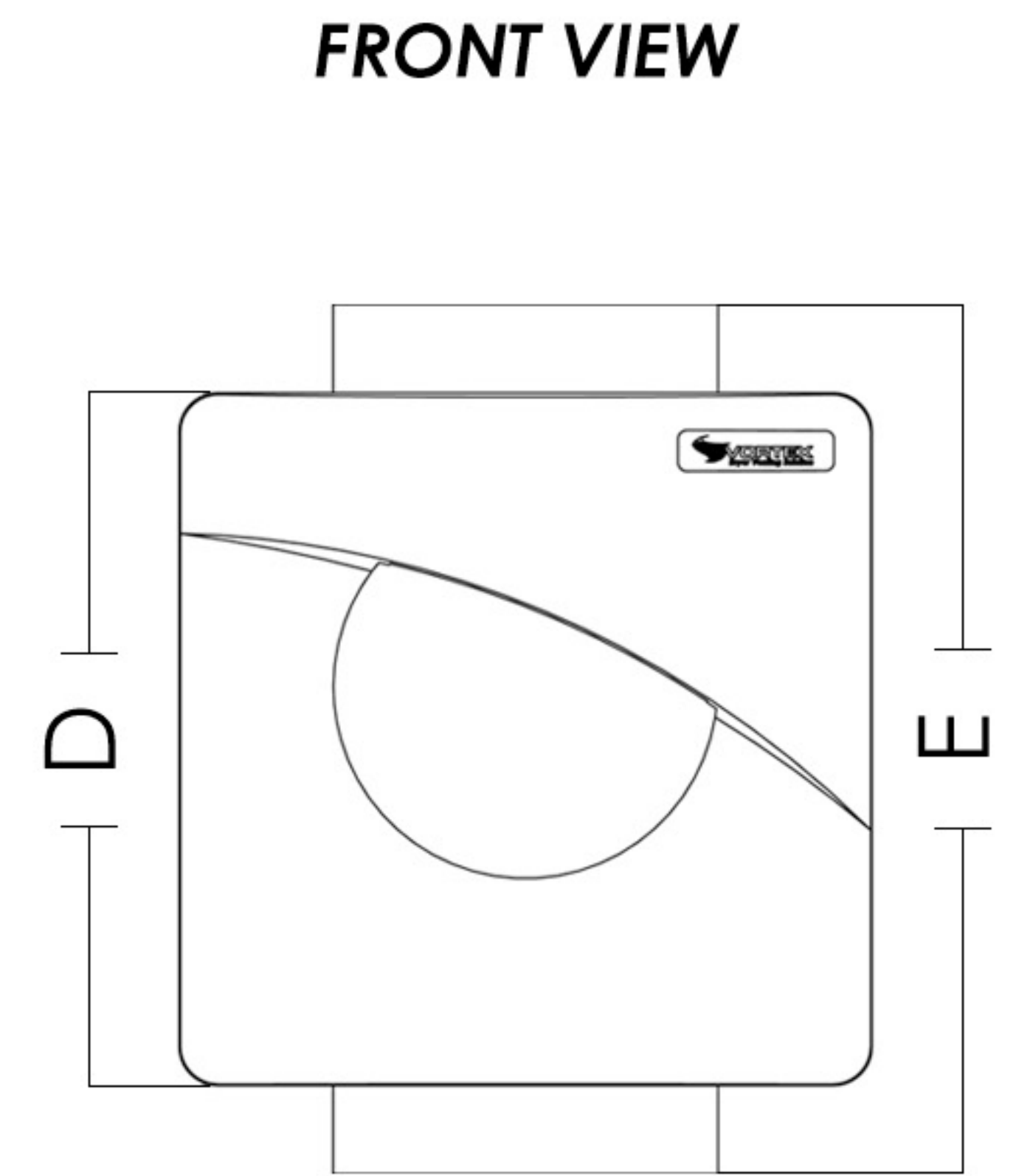
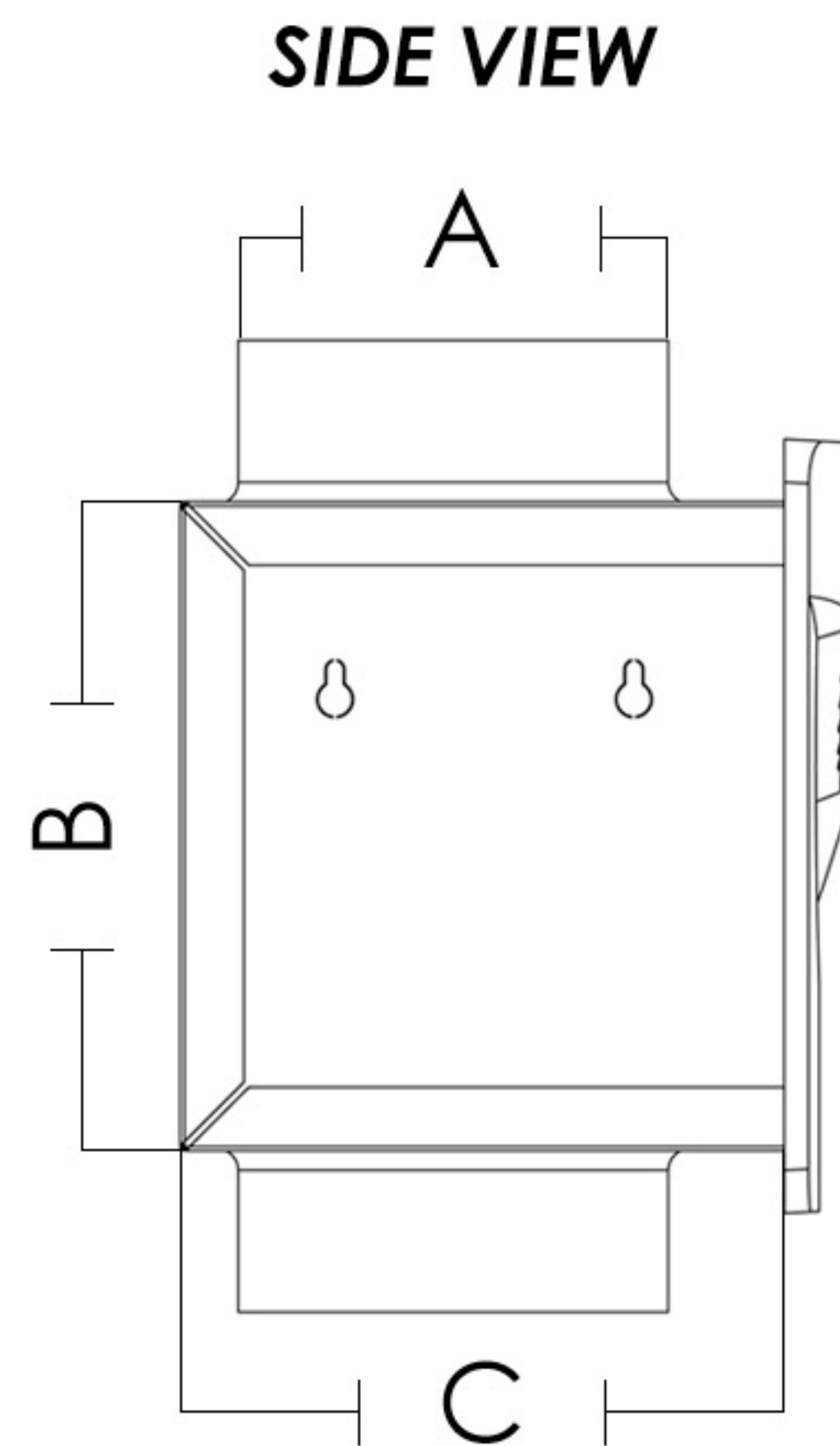
STEP 4



Insert the screen / door assembly by aligning the screen in the finishing frame as shown.

STEP 5

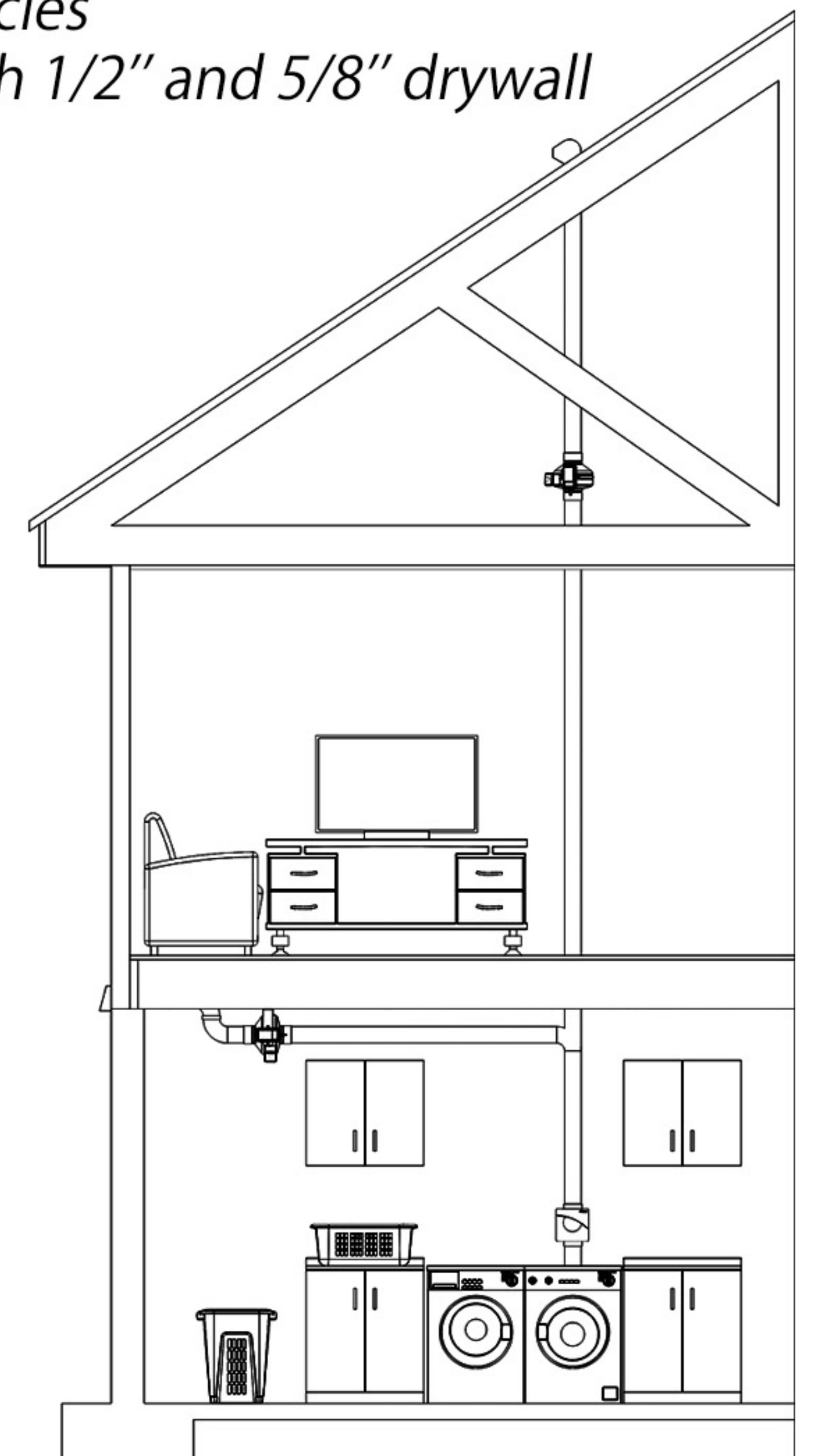
The Lint Trap should always be inspected and cleaned before the use of the dryer, as this will decrease drying times and help prevent any hazardous lint build-up.



MODEL	A	B	C	D	E
LT4	3.9"	5.9"	5.5"	7.0"	8.9"
LT4S	3.1"	5.9"	3.9"	7.0"	8.9"

FEATURES

- Finishing frame for a quick installation and esthetic finish
- Powder coated metal box to prevent any rust
- Window for visual monitoring of lint build-up
- (UL 94 V-0) flame resistant polymer material construction.
- Washable nylon mesh for a better filtration of small lint particles
- Compatible with 1/2" and 5/8" drywall



WWW.ATMOSPHERE.COM