



VORTEX[®]
POWERFANS
High Performance Inline Duct Blowers

V
SERIES

From 2050 CFM to 4515 CFM.

Aerodynamic design allowing more air flow.

High quality maintenance-free balanced motor, equipped with a mixed flow impeller, allowing an extremely quiet operation.

Heavy gauge steel casing with a hammertone powder coat finish, making it more sound absorbing, durable, impact resistant and rustproof.

Optional speed control easing air flow adjustment, allowing better balancing of the ventilation system.

Extended collar and lip, allowing easy duct hook-up.

Suitable for airstream temperatures up to 140°F.



||| DESIGNED FOR SILENCE, BUILT FOR POWER |||

V-Series View & Sizes

All dimensions in inches

| FAN MODEL | Weight (lbs) | A | A1 | A2 | B | B1 | C | D | E | F |
|-----------|--------------|--------|--------|--------|--------|--------|--------|-----|-----|-----|
| V-12XL | 38.2 | 11 7/8 | 13 7/8 | 11 7/8 | 18 7/8 | 21 1/4 | 21 3/4 | 1.0 | 4.0 | 1/2 |
| V-14XL | 43.6 | 13 7/8 | 15 7/8 | 13 7/8 | 21.0 | 23 3/8 | 22 1/2 | 1.0 | 4.0 | 1/2 |
| V-16XL | 65.6 | 15 7/8 | 17 7/8 | 15 7/8 | 22.0 | 24 3/8 | 24 1/2 | 1.0 | 4.0 | 1/2 |

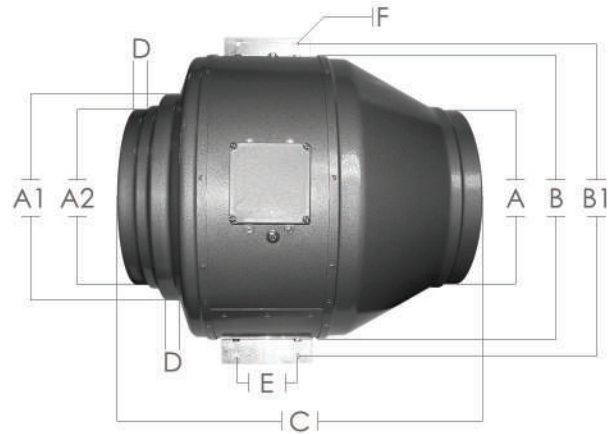
V-Series accessories

Optional galvanized mounting brackets for horizontal or vertical installation. (sold separately)

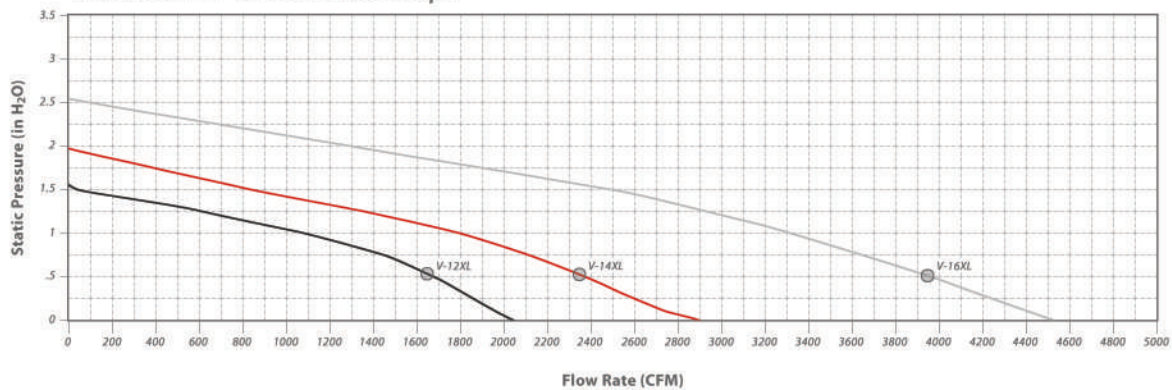


Mounting Brackets

Suitable for V-Series models V-12XL & V-14XL



V-Series Air Performance Graph



V-Series Performance Data

| FAN MODEL | Duct Dia. | RPM | Volts | Rated Watts | Max Amps | Static Pressure in Inches W.G. | | | | | | | | Max Ps | Sones | |
|-----------|-----------|------|-------|-------------|----------|--------------------------------|-------|------|-------|------|------|------|-------|--------|-------|------|
| | | | | | | 0" | .125" | .25" | .375" | .5" | .75" | 1.0" | 1.25" | | | 1.5" |
| V-12XL | 12" | 1700 | 120 | 540 | 4.8 | 2050 | 1951 | 1862 | 1774 | 1675 | 1445 | 1083 | 615 | 43 | 1.54 | 19.1 |
| V-14XL | 14" | 1500 | 120 | 860 | 7.5 | 2905 | 2728 | 2607 | 2492 | 2381 | 2117 | 1799 | 1362 | 837 | 1.97 | 20.4 |
| V-16XL | 16" | 1600 | 230 | 1550 | 6.6 | 4515 | 4374 | 4238 | 4097 | 3952 | 3645 | 3312 | 2950 | 2512 | 2.55 | 23.2 |

* Speed (RPM) shown is nominal

Performance ratings are based on installation type D - Ducted inlet, Ducted outlet
Performance ratings do not include the effects of apperturancas (Accessories)



WHERE INNOVATION IS A STANDARD

WWW.ATMOSPHERE.COM



CONFORMS TO
UL 507 and
CSA C22.2
no.113

