

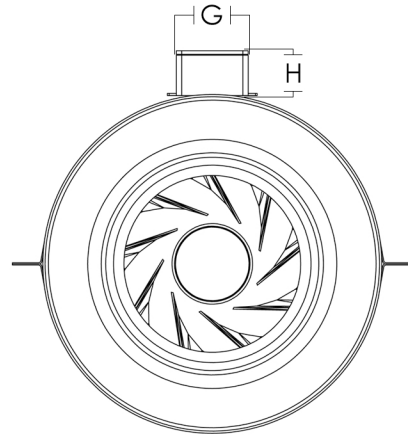
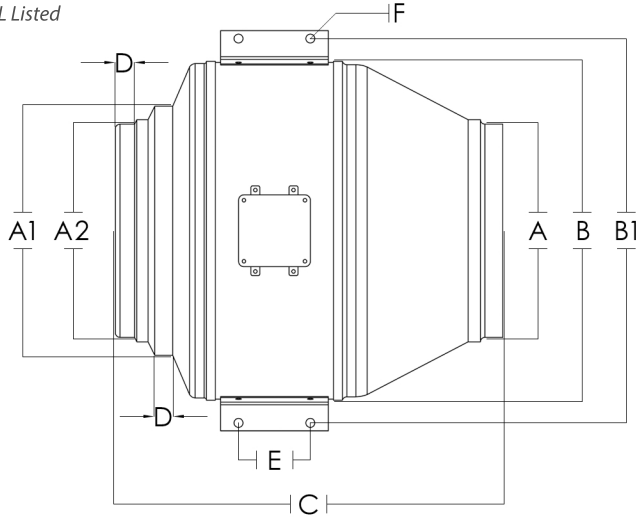
# Submittal Sheet

## V-Series

### Inline Centrifugal Fans

#### Standard Features

- Aerodynamic design allowing more air flow
- Heavy gage steel casing with a Hammertone powder coat finish, making it more sound absorbing and rustproof
- High quality maintenance-free balanced motor, equipped with a mixed flow impeller, allowing an extremely quiet operation
- 3 year manufacturers warranty
- Power cord included
- ETL Listed
- Extended collar and lip, allowing easy duct hook-up
- Permanently lubricated maintenance-free ball bearing motor
- Galvanized mounting brackets for horizontal or vertical installation (sold separately)
- 100% speed controllable, easing air flow adjustment, for better balancing of the ventilation system (optional speed control)
- From 2050 CFM to 4515 CFM



#### V-Series Dimensional Data

Fan Model	A	A1	A2	B	B1	C	D	E	F	G	H	Ship Wt	Metal Gauge
V-12XL	11 7/8	13 7/8	11 7/8	18 7/8	21 1/4	21 3/4	1.0	4.0	1/2	4.0	2 1/2	43.2	18
V-14XL	13 7/8	15 7/8	13 7/8	21.0	23 3/8	22 1/2	1.0	4.0	1/2	4.0	2 1/2	53.6	18
V-16XL	15 7/8	17 7/8	15 7/8	22.0	24 3/8	24 1/2	1.0	4.0	1/2	5 1/2	2 1/2	79.2	18

All dimensions in inches

Weights in pounds

#### V-Series Performance Data

FAN MODEL	Duct Dia.	*RPM	Volts	Rated Watts	Max Amps	Static Pressure in Inches W.G.								Max Ps	Sones	
						0"	.125"	.25"	.375"	.5"	.75"	1.0"	1.25"			1.5"
V-12XL	12"	1700	120	540	4.8	2050	1951	1862	1774	1675	1445	1083	615	43	1.54	19.1
V-14XL	14"	1500	120	860	7.5	2905	2728	2607	2492	2381	2117	1799	1362	837	1.97	20.4
V-16XL	16"	1600	230	1550	6.6	4515	4374	4238	4097	3952	3645	3312	2950	2512	2.55	23.2

\* Speed (RPM) shown is nominal

Performance ratings are based on installation type D - Ducted inlet, Ducted outlet  
Performance ratings do not include the effects of appurturances (Accessories)

#### V-Series Fan Specifications

Fan Tag	Fan Model	Qty	CFM	SP	Accessories	Remarks

Project \_\_\_\_\_ Submitted \_\_\_\_\_

Customer \_\_\_\_\_ Approved \_\_\_\_\_

Location \_\_\_\_\_



WWW.ATMOSPHERE.COM  
info@atmosphere.com

