



VTX-DEDPV

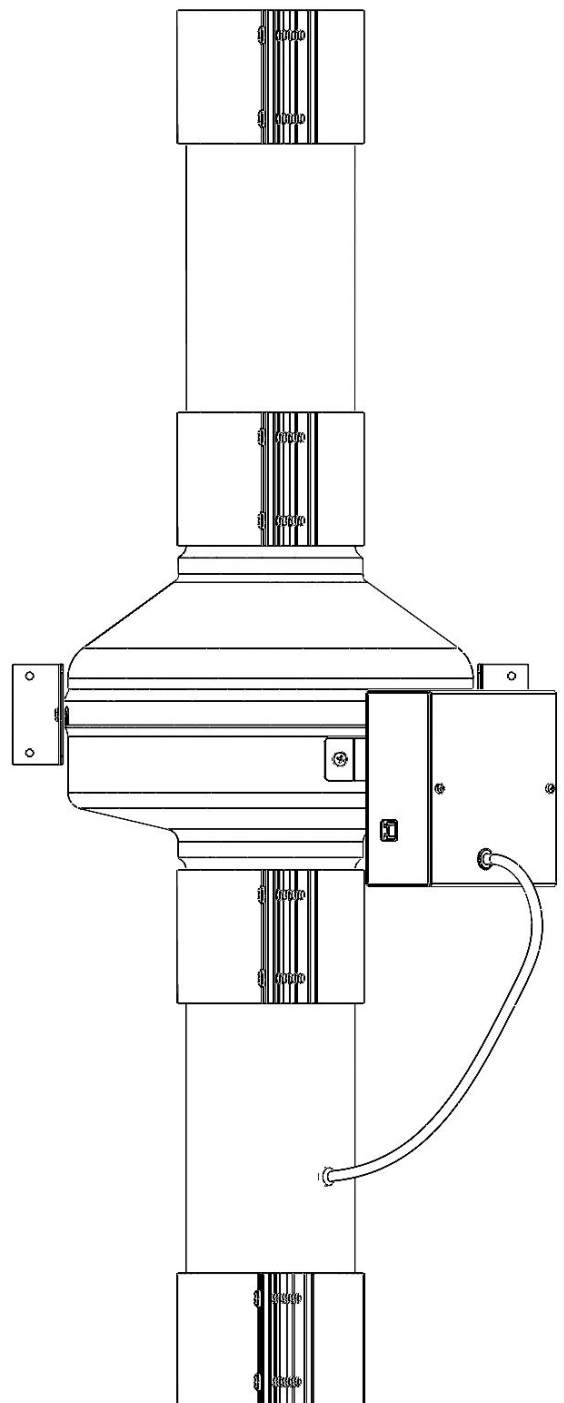
— USER MANUAL

VTX-DEDPV KIT

- 1 x Inline fan with integral control
- 2 x 8" Section of galvanized duct
- 4 x ADC4 clamps
- 1 x Grommet for tubing
- 1 x Mounting bracket and hardware
- 1 x Indicator panel
- 1 x 2" x 4" Indicator cover plate
- 1 x 50 ft (15.4 m) Communication cable
- 1 x Warning label for indicator cover plate

IMPORTANT SAFETY INSTRUCTIONS

SAVE THESE INSTRUCTIONS



READ AND SAVE THESE INSTRUCTIONS

WARNING — TO REDUCE THE RISK OF FIRE, ELECTRIC SHOCK OR INJURY TO PERSONS, OBSERVE THE FOLLOWING :

A - Your dryer installation incorporates a dryer exhaust power ventilator (DEDPV) incorporating a lint trap.

B - Your dryer depends on the DEDPV for its safe and efficient operation. Operating your dryer without a functional DEDPV will result in inefficient dryer operation, excess energy consumption and a possible fire hazard. See warning light on DEDPV front panel.

C - The VTX-DEDPV shall be permanently installed within the space in which the dryer is installed. In the case of a dryer installed in an alcove provided with a door, the DEDPV shall be installed within the alcove or be installed immediately adjacent to the doors of the alcove. The DEDPV shall be located where it will be readily visible after the dryer is installed without opening any doors other than those necessary to access the dryer.

WARNING — IF A CONTINUOUS ALARM SOUNDS OR A VISUAL ERROR INDICATOR IS PRESENT, DO NOT OPERATE THE CLOTHES DRYER. CONTACT YOUR SERVICE PERSONNEL

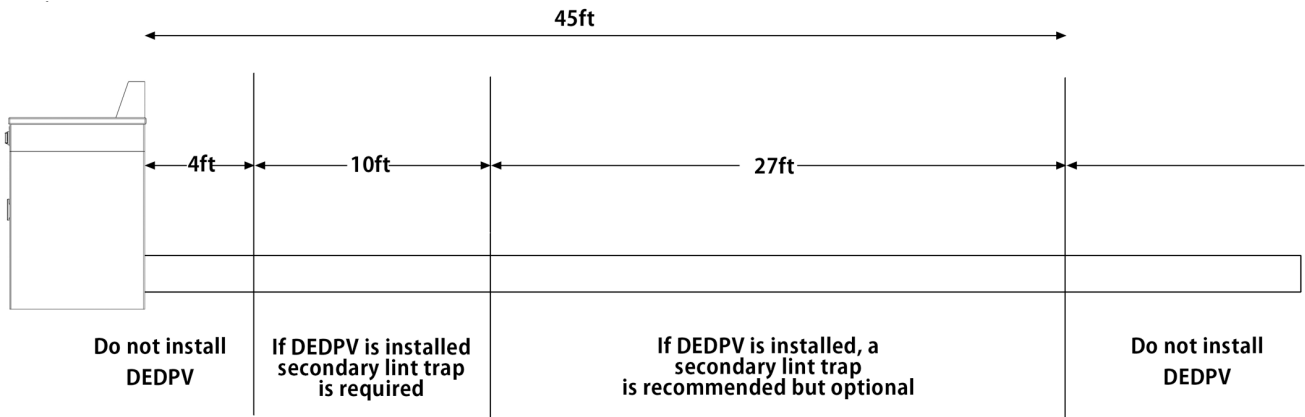
- Do not install in an exhaust ductwork of a clothes dryer whose instructions prohibit the installation of a clothes dryer booster fan (DEDPV).
- Do not install in an exhaust ductwork where the equivalent duct length is less than 25 ft (7.62 linear metres).
- The VTX-DEDPV is suitable to overcome an equivalent duct length of 130 feet (39.6 meters) of 4 inch diameter galvanized steel duct, and to maintain an air velocity of 1200 fpm (6.10 m/s).
- Do not exhaust air in excess of 167F (75C) and do not install less than linear 4ft (1.21m) from clothes dryer exhaust outlet.
- Do not install less than 4 linear feet (1.21 linear meters) or more than 45 linear feet (13.71 linear meters) from clothes dryer exhaust outlet.
- Insulated dryer duct shall not be used upstream of the ventilator.
- The ventilator must not be used in conjunction with high output dryers.
- For general ventilating use only. Do not use to exhaust hazardous or explosive materials and vapors.
- The installation must comply with local electrical and mechanical building codes, and must be inspected and accepted by local authorities having jurisdiction.

INSTALLATION GUIDELINES

TO PREVENT THE POSSIBILITY OF DRYER FAN CAVITATION AND/OR EXHAUSTING EXCESS HEAT REQUIRED FOR THE DRYING CYCLE AND COMPROMISING DRYING TIMES, BOOSTER FAN AIRFLOW MUST NOT EXCEED THE DRYER FAN CAPACITY.

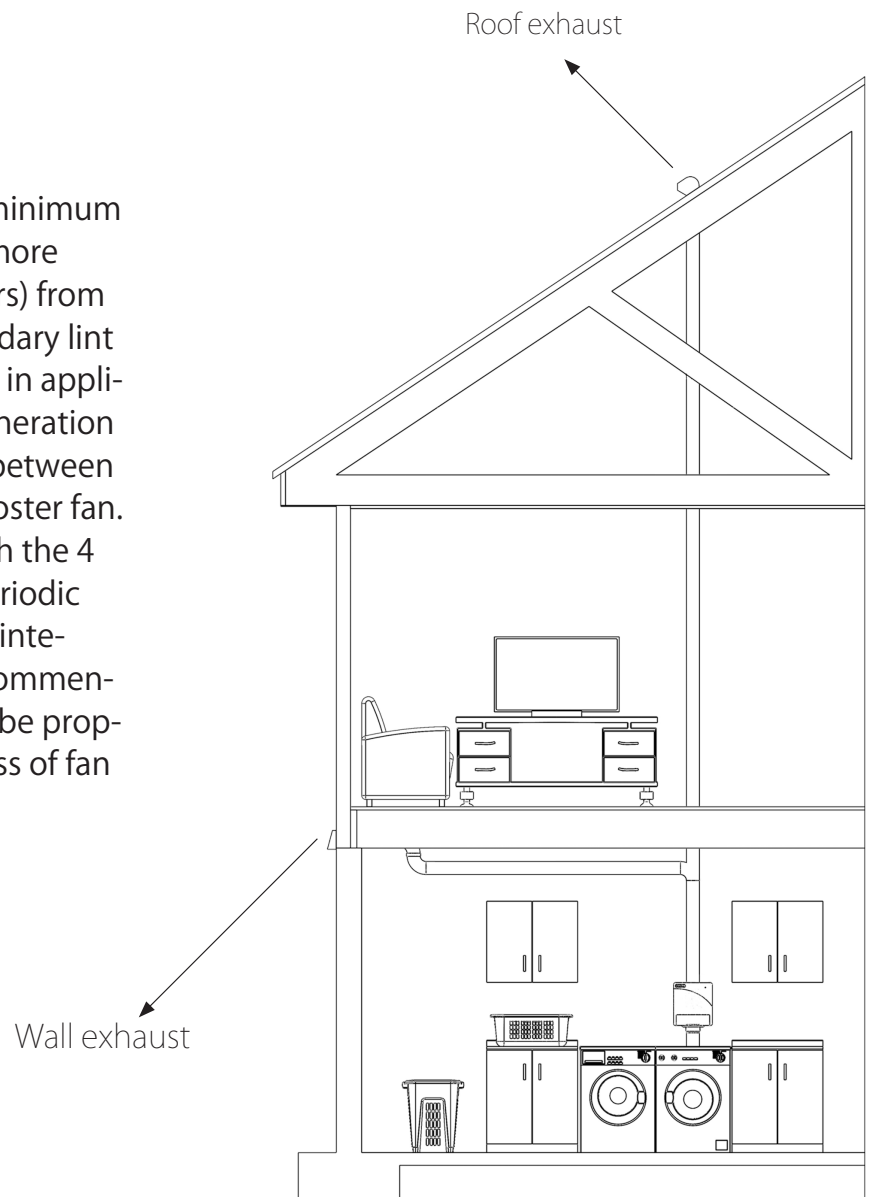
Calculating duct run for secondary lint trap

To calculate the length of your planned duct run, measure from the dryer to external venting point in roof or wall. For each bend or elbow add 5 feet (1.52 meter) to your total duct run calculation. The VTX-DEDPV can be used on runs up to 130 feet (39.6 meter).



Fan location

The VTX-DEDPV is to be mounted a minimum of 4 linear feet (1.21 meter) and not more than 45 linear feet (13.71 linear meters) from clothes dryer exhaust outlet. A secondary lint trap can be used where required and in applications where excessive dryer lint generation is likely to increase the time interval between routine maintenance of the dryer booster fan. The VTX-DEDPV is to be attached with the 4 ADC4 clamps (included) to permit periodic inspection of the blower. Refer to maintenance instructions for inspection recommendations. All duct connections should be properly sealed to prevent leakage and loss of fan performance.

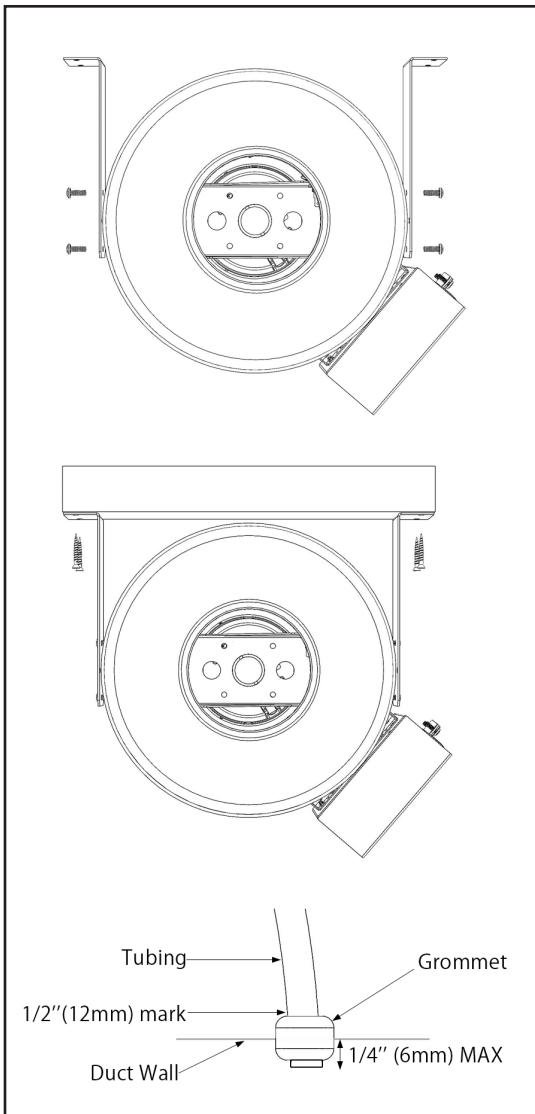


Indicator panel

The VTX-DEDPV is equipped with a remote mounted low voltage operation indicator panel. This panel contains a RGB LED that will indicate proper operation of the booster fan. In the event of a problem with the system, it will indicate the nature of the problem.

INSTALLATION INSTRUCTIONS

Fan Installation VTX-DEDPV



STEP 1 — Install the mounting bracket on both side of the fan

REMARQUE : Fan mounting can be done at any angle however, vertical mounting is recommended to reduce condensation buildup in the fan. If a horizontal installation is necessary and condensation buildup may pose a problem, a 1/4" (6 mm) hole drilled in the bottom of the housing (along with an NPT insert (by others) and drain tubing) may be installed to allow condensation to drain.

STEP 2 — Mount the fan

Using wood screws provided, attach the mounting bracket to a support beam at the selected location. For proper operation, the control box (located on the fan) needs to be positioned to provide access to the indicator panel RJ12 female connector and the tubing connections.

STEP 3 — Install acces duct on inlet and outlet and secure with ADC4

Install the 8 " long cleanout duct using the ADC4 duct clamps. See dimensional data on next page.

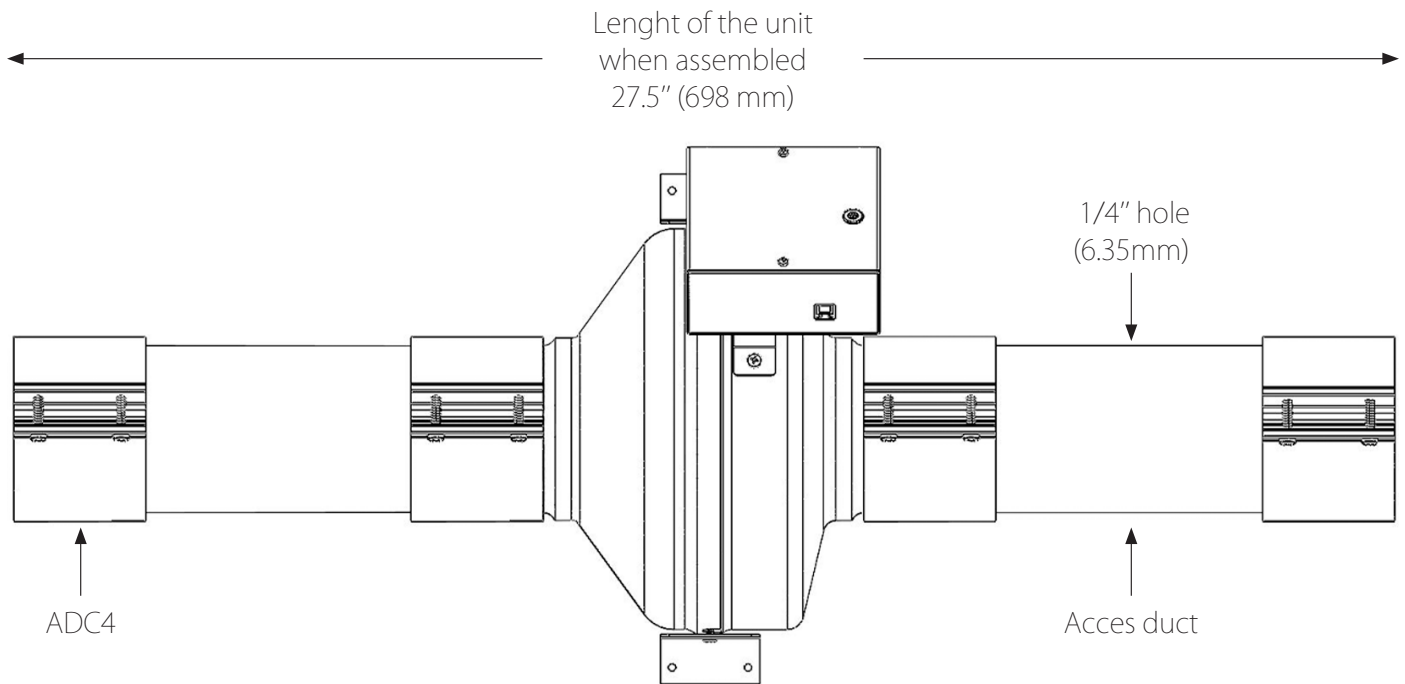
STEP 4 — Install acces duct on inlet and outlet and secure with ADC4

Drill a 1/4 inch diameter hole in the inlet duct wall 4 to 8 inches from the inlet of the fan. Carefully insert the grommet into the hole.

Do not connect the tubing in such a manner as to allow condensation from the duct to collect in the tubing. Mark the opposite end of the pressure tubing 1/2 inch from the edge and insert into the grommet until the marking is reached.

**MORE —
INSTALLATION INSTRUCTIONS**

IMPORTANT — The dryer duct in which the VTX-DEDPV is installed must terminate with a dryer exhaust hood with a flapper or have a backdraft damper installed near the exterior termination.



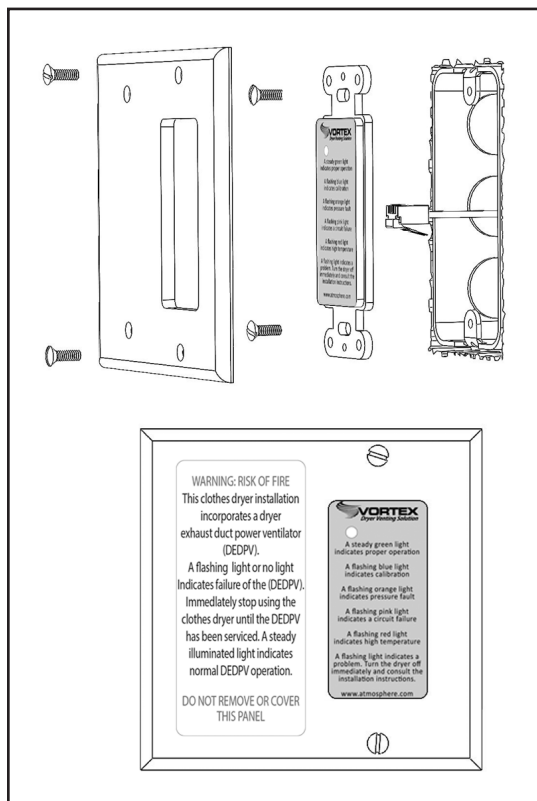
Indicator panel installation

STEP 1 — Selecting panel location

The VTX-DEDPV indicator panel mounts near the dryer in a location that will be visible to the operator of the dryer. The indicator panel is supplied with 50 feet (15.2 meter) of cable. Ensure that the indicator panel and booster fan are located to allow their connection with this cable.

STEP 2 — Connection and mounting panel

The indicator panel is a low voltage device that is not required to be installed in an electrical junction box. If provided with clearance for the cable and terminal block it can be mounted to a wall using appropriate fasteners. If installer chooses to mount indicator panel in a single gang junction box (by others), it should not be installed in a box that contains high voltage wiring or devices. Both end of the 50 foot (15.2 meter) cable have a RJ12 male connector.



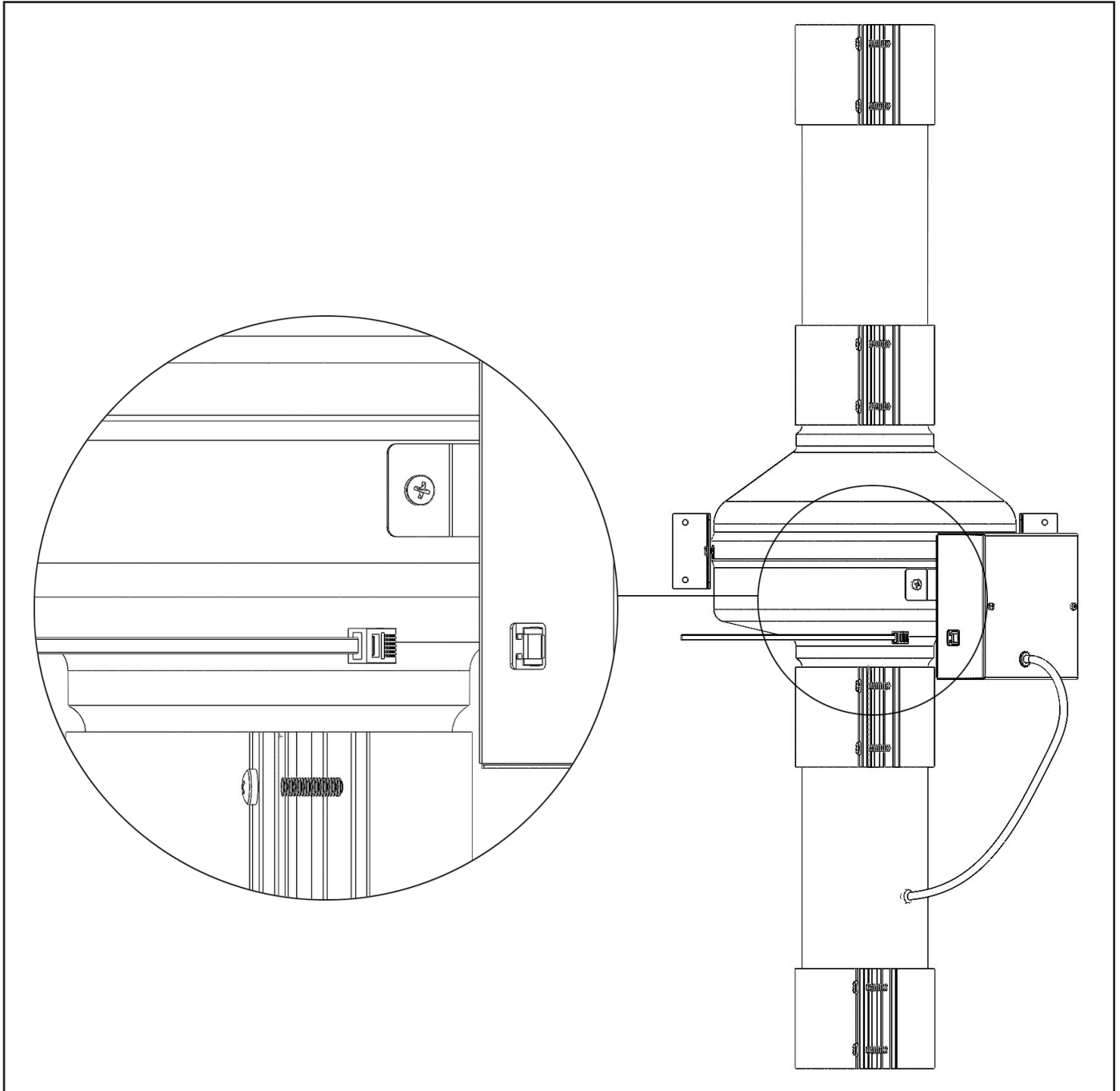
STEP 3 — Warning label

Install warning label sticker next to the indicator panel. The VTX-DEDPV is equipped with a remote mount, low voltage, operation indicator panel. This wall-mounted indicator panel contains

a RGB LED that is intended to visually alert the occupant of any detected faults.

STEP 4 — Connect indicator panel cable to the fan

Connect both end RJ12 of the 50 foot (15.2 meter) cable, one end to the fan junction box female connector and one end the the female connector on the back of the indicator panel.



VTX-DEDPV Calibration procedure

IMPORTANT — Make sure all of the following are performed before supplying power to the VTX-DEDPV. Confirm the VTX-DEDPV and the entire duct system is completely installed and clear of lint. (Required for proper calibration)

- Confirm the dryer is off and cool.
- Confirm all lint traps are empty of lint and reinstalled in their proper position.
- Confirm the dryer is empty of clothing.
- Confirm the door on the dryer is closed.
- Supply power by plugging in the power cord or cycling the power circuit that supply the VTX-DEDPV

NOTE — Within 10 seconds of the VTX-DEDPV dryer booster being supplied power, it will come on and run for up to 15 - 20 seconds. This is a calibration period and will only happen when the VTX-DEDPV is first powered, LED is flashing blue during calibration mode and after calibration mode motor and LED will shut off. The VTX-DEDPV is now calibrated and the clothes dryer can be used.

NOTIFICATION PANEL STATUS MODE

CALIBRATION MODE (Flashing blue LED)

PROPER VENTING MODE (Steady green LED)

When the VTX-DEDPV is on, the green LED will be continuously on.

PRESSURE FAULT MODE (Flashing orange LED) If at anytime during the calibration or operating cycle of the VTX-DEDPV and the dryer there is excessive pressure sensed, the notification panel will flash the orange LED. The VTX-DEDPV will continue to operate to try to clear the blockage. Stop the dryer immediately and have the vent system inspected by someone qualified to do so. The power to the VTX-DEDPV will need to be removed to clear the fault condition and turn the VTX-DEDPV motor off. The VTX-DEDPV calibration cycle will need to be performed. (See troubleshooting for complete details)

CIRCUIT FAILIURE MODE (Flashing pink LED).

If at anytime during the calibration or operating cycle the VTX-DEDPV is not fonctionning properly due to a circuit or motor failiure stop the dryer immediately, turn off power of the VTX-DEDPV and contact the manufacturer.

TEMPERATURE FAULT MODE (Flashing red LED) The VTX-DEDPV has a non-resettable thermal fuse link which will trigger when exhaust temperatures exceed 196°F. This is a safety feature designed to prevent the VTX-DEDPV from operating during abnormal/dangerous drying conditions. Call technical support for authorization before opening the electrical compartment; check resistance across the thermal overload protector.

RECOMMENDED MAINTENANCE

Depending on use, but at least once a year, we recommend cleaning the dryer exhaust vent. On an annual basis, make sure that exhaust hood flapper or backdraft damper is clean of lint and moves freely. The VTX-DEDPV motor is maintenance free. If the VTX-DEDPV is acting erratically, perform the calibration procedure.

Fan impeller may accumulate lint. Periodic inspection, based upon dryer usage, should be performed to ensure that the fan impeller is not obstructed or loaded with lint.

To inspect and clean the impeller :

- Disconnect the incoming power supply at the source.
- Loosen the ADC4 fast clamps and remove the 8-inch extender ducts from the fan inlet and outlet; remove any lint buildup on the impeller and near the outlet.
- Reconnect the duct to the fan. Turn power supply back on to recalibrate the unit.

WARNING — Do not blow into the pressure sampling tube in the direction of the circuit board. The pressure sensor is a very sensitive device that can be destroyed if subjected to the pressure created by someone blowing strongly into it.

TROUBLESHOOTING

IMPORTANT — All faults are indicated by a different colored LED light or no lights on notification panel. Faults must be investigated as outlined below and must only be cleared once a thorough investigation of the dryer vent system and dryer has been performed by someone qualified to do so. Perform VTX-DEDPV calibration procedure to clear any faults once investigation is completed.

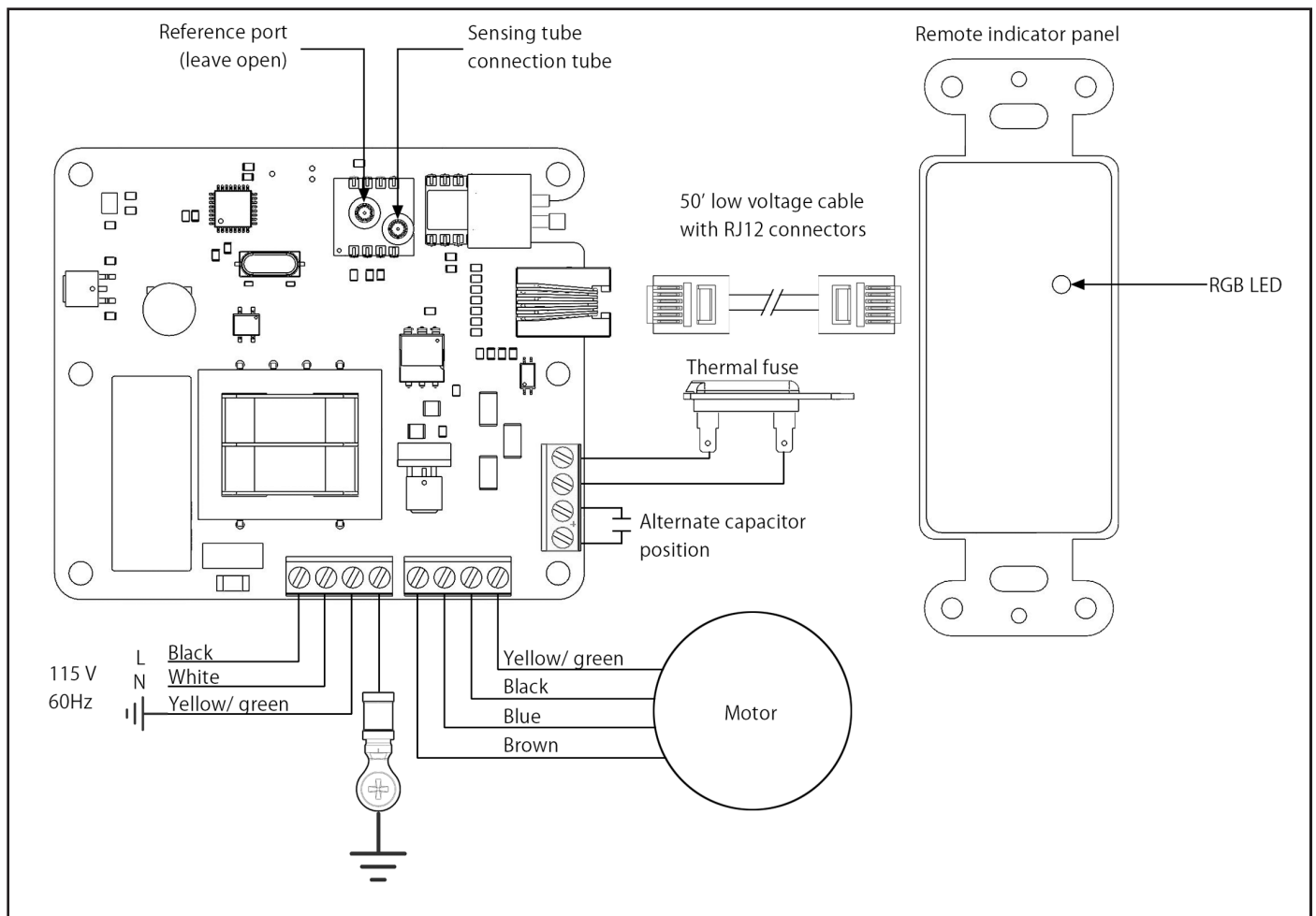
No indicator light | VTX-DEDPV not operating when dryer runs.

- The VTX-DEDPV is interlocked to the dryer by sensing the pressure inside the exhaust duct when the dryer turns on. Replace the tubing if damage is observed.
- Dryers are equipped with operating temperature controls that monitor drying temperatures. Normal exhaust temperatures should not exceed 167°F. If the safety thermal fuse in the VTX-DEDPV trips, the dryer is operating outside its limits. Contact the dryer manufacture and replace the VTX-DEDPV.
- If the dryer is operating and there is no green LED on the notification panel, stop the dryer immediately and have the vent system inspected by someone qualified to do so.

PRESSURE FAULT MODE (Flashing orange LED)

If at anytime during the calibration or operating cycle of the VTX-DEDPV and the dryer there is excessive positive pressure of +0.16" W.C. sensed for over four minutes, the notification panel will flash the orange LED. Stop the dryer immediately and have the vent system inspected by a person qualified to do so. This is an indication of excessive back pressure in the vent system.

WIRING DIAGRAM



WARRANTY

Ten (10) Year Warranty

This warranty supersedes all prior warranties

DURING ENTIRE WARRANTY PERIOD — Atmosphere will repair or replace any part which has a factory defect in workmanship or material. Product will need to be returned to the Atmosphere factory, together with a copy of the purchase invoice and identified with RMA number.

FOR FACTORY RETURN YOU MUST :

- Have a Return Materials Authorization (RMA) number. This may be obtained by contacting Atmosphere at info@atmosphere.com. Please have the purchase invoice available.
- The RMA number must be clearly written on the outside of the box or it will be refused.
- All parts and/or product will be repaired/replaced and shipped back to buyer.
No credit will be issued.

OR

The distributor may place an order for the warranty part and/or product and will be invoiced. The distributor will receive a credit equal to the invoice only after product is returned, prepaid, and verified to be defective.

ATMOSPHERE WARRANTY TERMS DOES NOT PROVIDE FOR REPLACEMENT WITHOUT CHARGE PRIOR TO INSPECTION FOR A DEFECT. REPLACEMENTS ISSUED IN ADVANCE OF DEFECT INSPECTION ARE INVOICED AND CREDIT IS PENDING INSPECTION OF RETURNED MATERIAL. DEFECTIVE MATERIAL RETURNED BY END USERS SHOULD NOT BE REPLACED BY THE DISTRIBUTOR WITHOUT CHARGE TO THE END USER, AS CREDIT TO DISTRIBUTORS ACCOUNT WILL BE PENDING INSPECTION AND VERIFICATION OF ACTUAL DEFECT BY ATMOSPHERE.

THE FOLLOWING WARRANTIES DO NOT APPLY :

- Damages from shipping, either concealed or visible. Claims must be filed with freight company.
- Damages resulting from improper wiring or installation.
- Damages or failure caused by act of God, or resulting from improper consumer procedure, such as :
 1. Improper installation
 2. Improper maintenance.
 3. Misuse, abuse, abnormal use, or accident, and incorrect electrical connections.
 4. Removal or any alteration made on the Atmosphere label control number or date of manufacture. Any other warranty, expressed, implied or written, and to any consequential or incidental damages, loss or property, revenues, or profit, or costs of removal, installation or reinstallation, for any breach of warranty.

WARRANTY INVALIDATION

The user must keep a copy of the purchase invoice to verify purchase date.

This warranty gives you specific legal right, and is subject to an applicable consumer protection legislation. You may have additional rights which vary from state to state.

LIMITATION OF WARRANTY AND LIABILITY

This warranty does not apply to any Atmosphere product or part which has failed as a result of misinstallation or abuse, incorrect electrical connections or alterations made by others, or use under abnormal operating conditions or misapplication of the product or parts. Atmosphere will not approve any payment for any repair not made by us or our authorized agent without prior written consent. The foregoing shall constitute our sole and exclusive warranty and our sole exclusive liability, and is in lieu of any other warranties, whether written, oral, implied or statutory. There are no warranties which extend beyond the description on the page hereof. In no event, whether as a result of breach of contract, or warranty or alleged negligence, defect incorrect advice or other causes, shall Atmosphere be liable for special or consequential damages, including but not limited to, loss of profits or revenue, loss of use of equipment or any other associated equipment, cost of capital, cost of substitute equipment, facilities or services, downtime costs or claims of customers of purchase for such damages. Atmosphere neither assumes or authorizes any person to assume for it any other liability in connection with the sale of product(s) or part(s). Some jurisdictions do not allow the exclusion or limitation of incidental or consequential damages so the above limitations and exclusions may not apply to you.

WARNING — ATMOSPHERE reserves the right to make technical changes. For up-to-date documentation, please refer to www.atmosphere.com



VTX-DEDPV

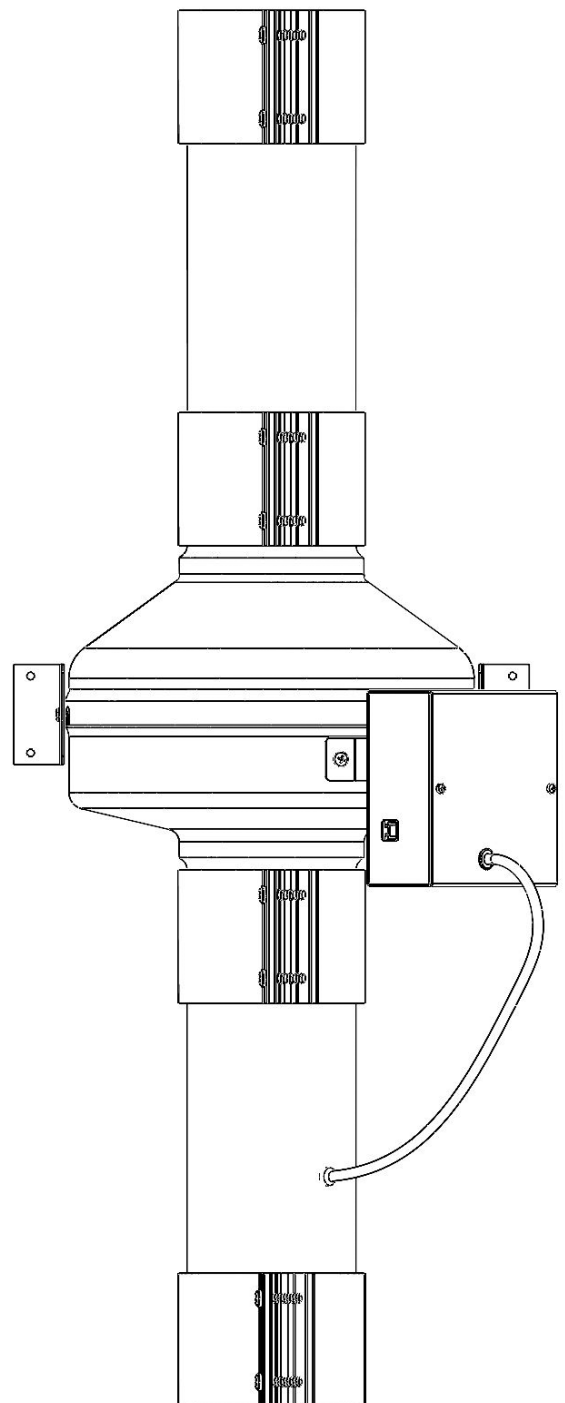
— MANUEL DE L'UTILISATEUR

VTX-DEDPV KIT

- 1x Ventilateur en ligne avec contrôle intégré
- 2 x Sections de 8" de conduit galvanisé
- 4 x ADC4 Collets de serrage
- 1 x Oeillet de caoutchouc
- 1 x Support de montage
- 1 x Panneau indicateur
- 1 x 2" x 4" Couvert de finition
- 1 x 50 ft (15.4 m) Câble de communication
- 1 x Autocollant de mise en garde

INSTRUCTIONS IMPORTANTES POUR LA SÉCURITÉ

CONSERVER CES INSTRUCTIONS



LIRE ET CONSERVER CES INSTRUCTIONS

AVERTISSEMENT — POUR RÉDUIRE LE RISQUE D'INCENDIE, DE CHOC ÉLECTRIQUE OU DE BLESSURE, RESPECTER LES CONSIGNES QUI SUIVENT :

A - Votre sècheuse est équipée d'un ventilateur auxiliaire avec une trappe à charpie intégrée.

B - Le ventilateur auxiliaire est essentiel au fonctionnement sécuritaire de la sècheuse. Désactiver ce ventilateur nuira au fonctionnement de la sècheuse, entrainera une augmentation de la consommation d'électricité et possiblement un risque d'incendie. Lire la mise en garde sur le panneau d'indication d'alarme.

C - Le DEDPV doit être installé de façon permanente dans l'espace où se trouve la sècheuse. Si la sècheuse est installée dans une alcôve fermée par une porte, le DEDPV doit être installé dans l'alcôve ou à proximité immédiate de la porte de l'alcôve. Le panneau doit être visible une fois la sècheuse installée sans avoir à ouvrir une porte autre que celle donnant accès à celle-ci.

AVERTISSEMENT — NE PAS UTILISER LA SÈCHEUSE SI UNE ALARME RETENTIT OU UN MESSAGE D'ERREUR VISUEL S'ALLUME. APPELEZ UN RÉPARATEUR.

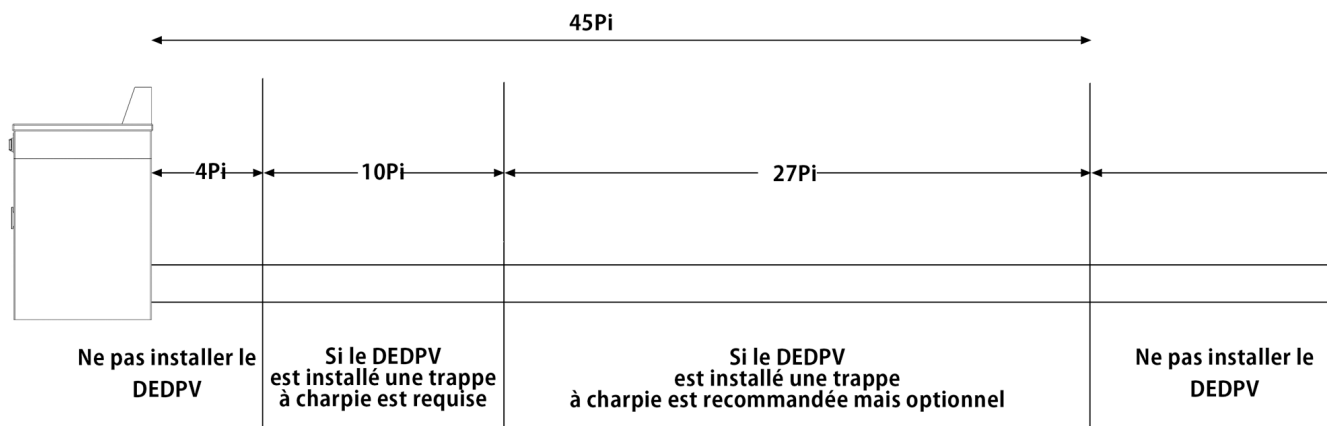
- Ne pas installer dans le conduit d'évacuation de la sècheuse si les instructions interdisent l'installation d'un ventilateur auxiliaire.
- Ne pas installer dans un conduit d'évacuation mesurant 25 pi (7.62 mètres) ou moins.
- Le DEDPV est adapté pour surmonter une longueur équivalente de conduit de 130 pieds (39.6 mètres) en acier galvanisé de 4 pouces de diamètre et pour maintenir une vitesse de l'air de 1200 pi/min (6,10 m/s).
- Ne pas évacuer l'air au-dessus de 167F (75C) et ne pas installer à moins de 4 pieds (1,524 m) linéaire de la sortie d'échappement de la sècheuse..
- Ne pas installer à moins de 4 pieds linéaires (1,21 mètres linéaires) ou plus de 45 pieds linéaires (13.71 mètres linéaires) de la sortie d'évacuation de la sècheuse.
- Le conduit de sècheuse isolé ne doit pas être utilisé en amont du ventilateur.
- Le ventilateur ne doit pas être utilisé avec des sècheuses à haut rendement.
- Pour une utilisation générale de la ventilation uniquement. Ne pas utiliser pour évacuer des matières et des vapeurs dangereuses ou explosives.
- L'installation doit être conforme aux codes de construction électriques et mécaniques locaux et doit être inspectée et acceptée par les autorités locales compétentes.

GUIDE D'INSTALLATION

POUR ÉVITER LA POSSIBILITÉ DE SURPRESSION DU VENTILATEUR DE LA SÈCHEUSE ET/OU D'ÉCHAPPEMENT DE LA CHALEUR EXCÉDENTAIRE NÉCESSAIRE POUR LE CYCLE DE SÉCHAGE ET COMPROMETTANT LES TEMPS DE SÉCHAGE, LE DÉBIT D'AIR DU VTX-DEDPV NE DOIT PAS DÉPASSER LA CAPACITÉ DU VENTILATEUR DE LA SÈCHEUSE.

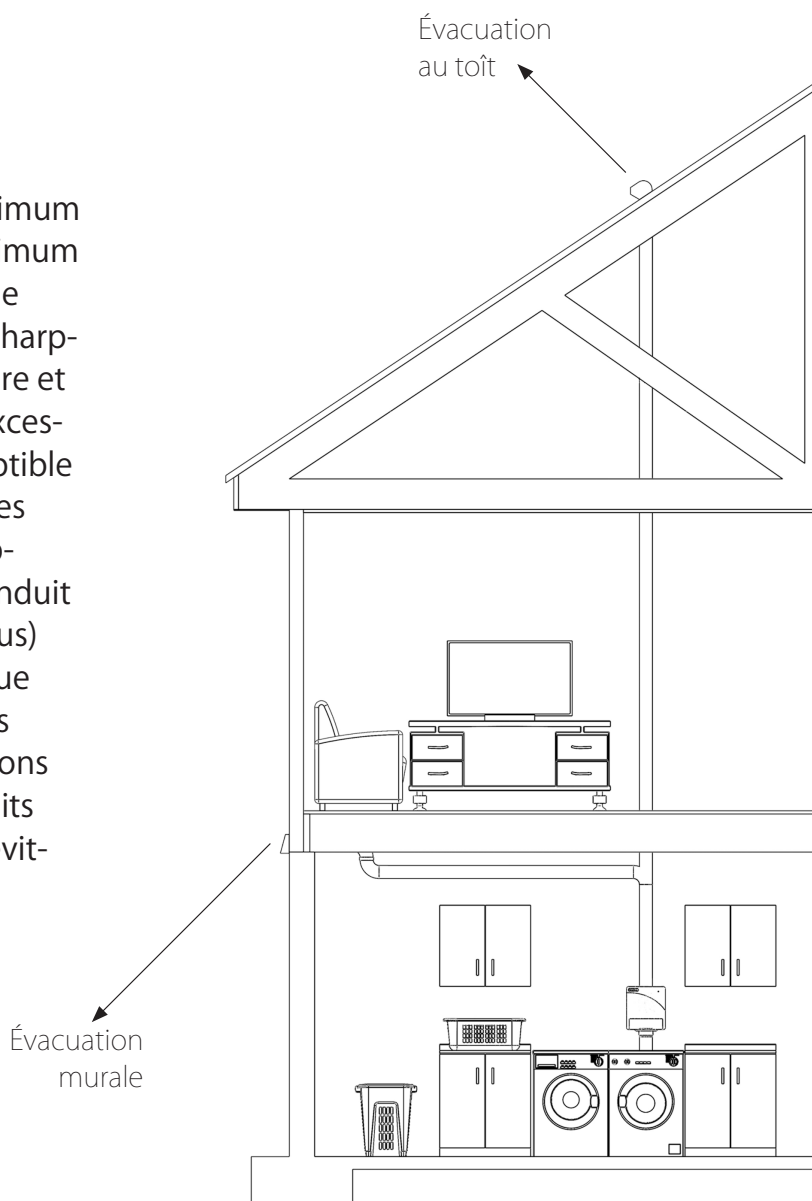
Calcul du parcours du conduit pour le filtre à charpie secondaire

Pour calculer la longueur du conduit prévu, mesurer à partir de la sortie d'air de la sècheuse jusqu'à la sortie d'évacuation externe du conduit dans le toit ou le mur. Pour chaque coude, ajouter 5' (1.52 m) au calcul de longueur totale de conduit. Le VTX-DEDPV peut être utilisé sur des conduits atteignant des longueurs allant jusqu'à 130' (39.6 m).



Emplacement d'installation

Le VTX-DEDPV doit être monté à un minimum de 4 pieds linéaires (1.21 m) et a un maximum de 45 pieds linéaires (13.71 m) de la sortie d'évacuation de la sècheuse. Un filtre à charpie secondaire peut être utilisé si nécessaire et dans les applications où la production excessive de charpie de la sècheuse est susceptible de diminuer le temps d'intervalle entre les entretiens de routine du ventilateur d'appoint. Le VTX-DEDPV doit être fixé au conduit à l'aide des collets de serrage ADC4 (inclus) pour permettre une inspection périodique du ventilateur. Se référer aux instructions de maintenance pour les recommandations d'inspection. Tous les raccords de conduits doivent être correctement scellés pour éviter des fuites et perte de performance du VTX-DEDPV.

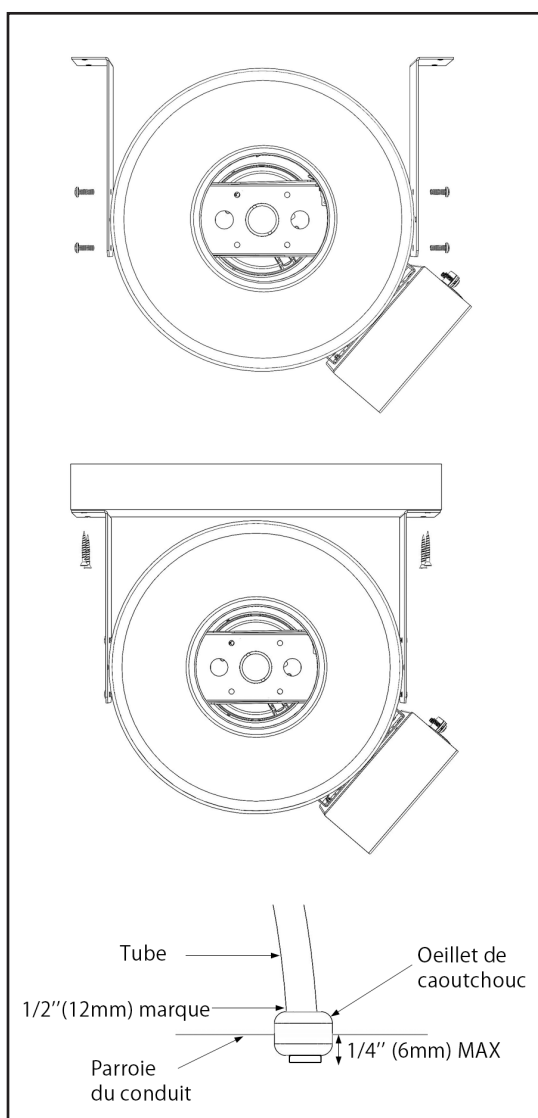


Panneau indicateur

Le VTX-DEDPV est équipé d'un panneau indicateur de fonctionnement externe à bas voltage . Ce panneau est muni d'un voyant lumineux indiquant le bon fonctionnement du VTX-DEDPV. Dans l'éventualité d'un problème, celui-ci indiquera la nature de ce dernier.

PROCÉDURE D'INSTALLATION

Installation du VTX-DEDPV



ÉTAPE 1 — Installer le support de montage des deux côtés du ventilateur

REMARQUE : Le montage du ventilateur peut être effectué dans n'importe quel angle ; cependant, le montage vertical est recommandé pour réduire l'accumulation de condensation dans le ventilateur. Si une installation horizontale est nécessaire, l'accumulation de condensation peut poser un problème, un trou de 1/4" (6 mm) percé au fond du boîtier avec un insert NPT (fourni par d'autres) et un tuyau de vidange peut être installé pour permettre à la condensation de s'écouler.

ÉTAPE 2 — Installer le ventilateur

À l'aide des vis fournies, fixer le support de montage sur les poutres présentes à l'endroit choisi pour un bon fonctionnement, le boîtier de commande (situé sur le ventilateur) doit être positionné afin de permettre l'accès au connecteur femelle RJ12 du panneau indicateur.

ÉTAPE 3 — Installer les conduits d'accès

Installer le conduit d'accès de 8" (200 mm) de long à l'aide des collets de serrage ADC4. Voir les données dimensionnelles ci-joint.

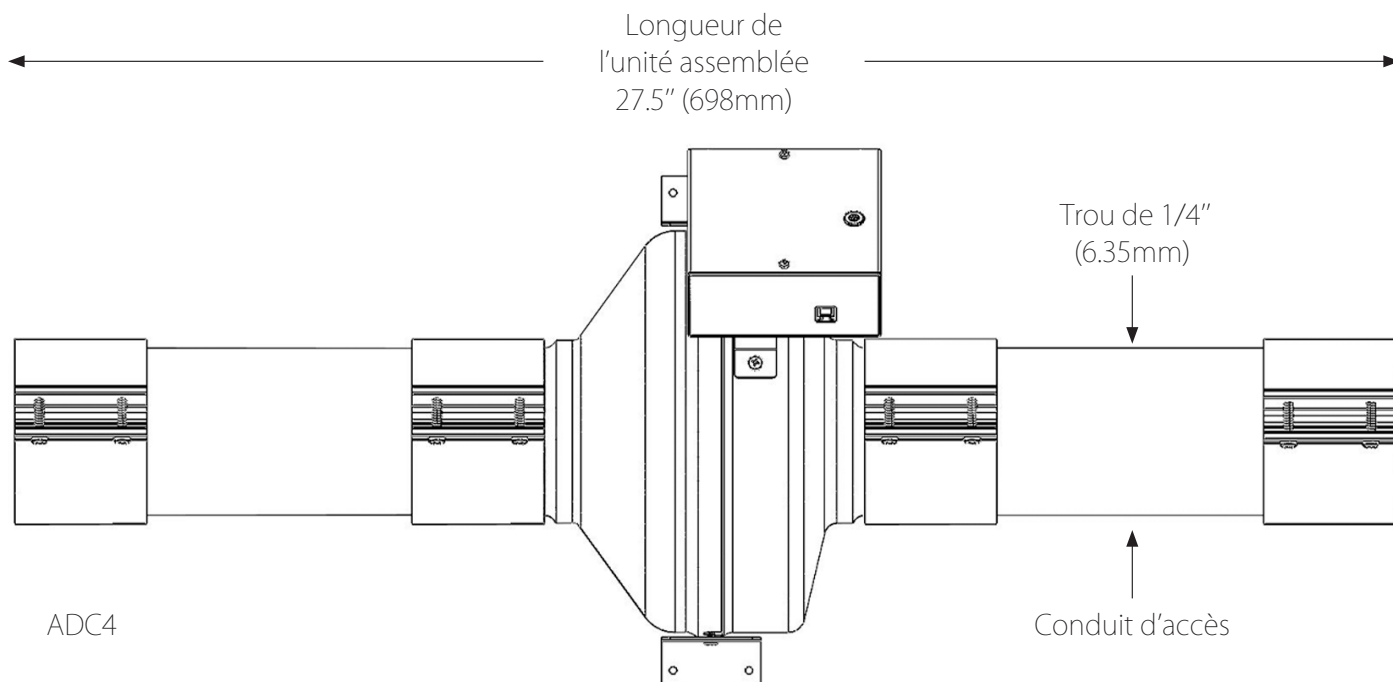
ÉTAPE 4 — Installation de l'œillet de caoutchouc du tube

Percer un trou de 1/4" (6.35 mm) de diamètre dans le conduit d'accès à 6" (150 mm) de l'entrée d'air du ventilateur. Insérer délicatement l'œillet de caoutchouc dans le trou.

Ne pas raccorder le tube de manière à permettre la condensation dans le conduit de s'y infiltrer. Marquer l'extrémité opposée du tube à 1/2" (12.7 mm) du bord et insérer dans l'œillet jusqu'à ce que le marquage soit atteint.

SUITE — PROCÉDURE D'INSTALLATION

IMPORTANT — Le conduit de la sécheuse dans lequel le VTX-DEDPV est installé doit se terminer avec une hotte d'évacuation de sécheuse muni d'un clapet anti-retour d'air.



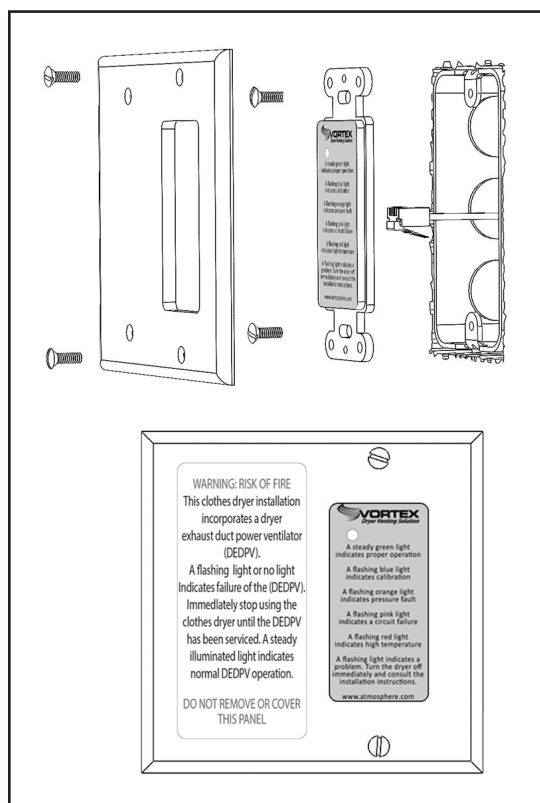
Installation du panneau indicateur

ÉTAPE 1 — Déterminer l'emplacement du panneau

Le panneau indicateur VTX-DEDPV se monte près de la sécheuse dans un endroit qui sera visible par l'opérateur de la sécheuse. Le panneau indicateur est fourni avec 50' (15.2 m) de câble. S'assurer que la distance entre le panneau indicateur et le ventilateur permette leur connexion.

ÉTAPE 2 — Installation du panneau indicateur

Le panneau indicateur est un dispositif à basse tension qui n'a pas besoin d'être installé dans une boîte de jonction électrique. Si l'espace le permet, il peut être monté sur un mur à l'aide des vis fournies. Si l'installateur choisit de monter le panneau indicateur dans une boîte de jonction (par d'autres), il ne doit pas être installé dans une boîte qui contient d'autres fils électriques. Les deux extrémités du câble de 50' (15,2 m) sont munis de connecteurs mâle RJ12.



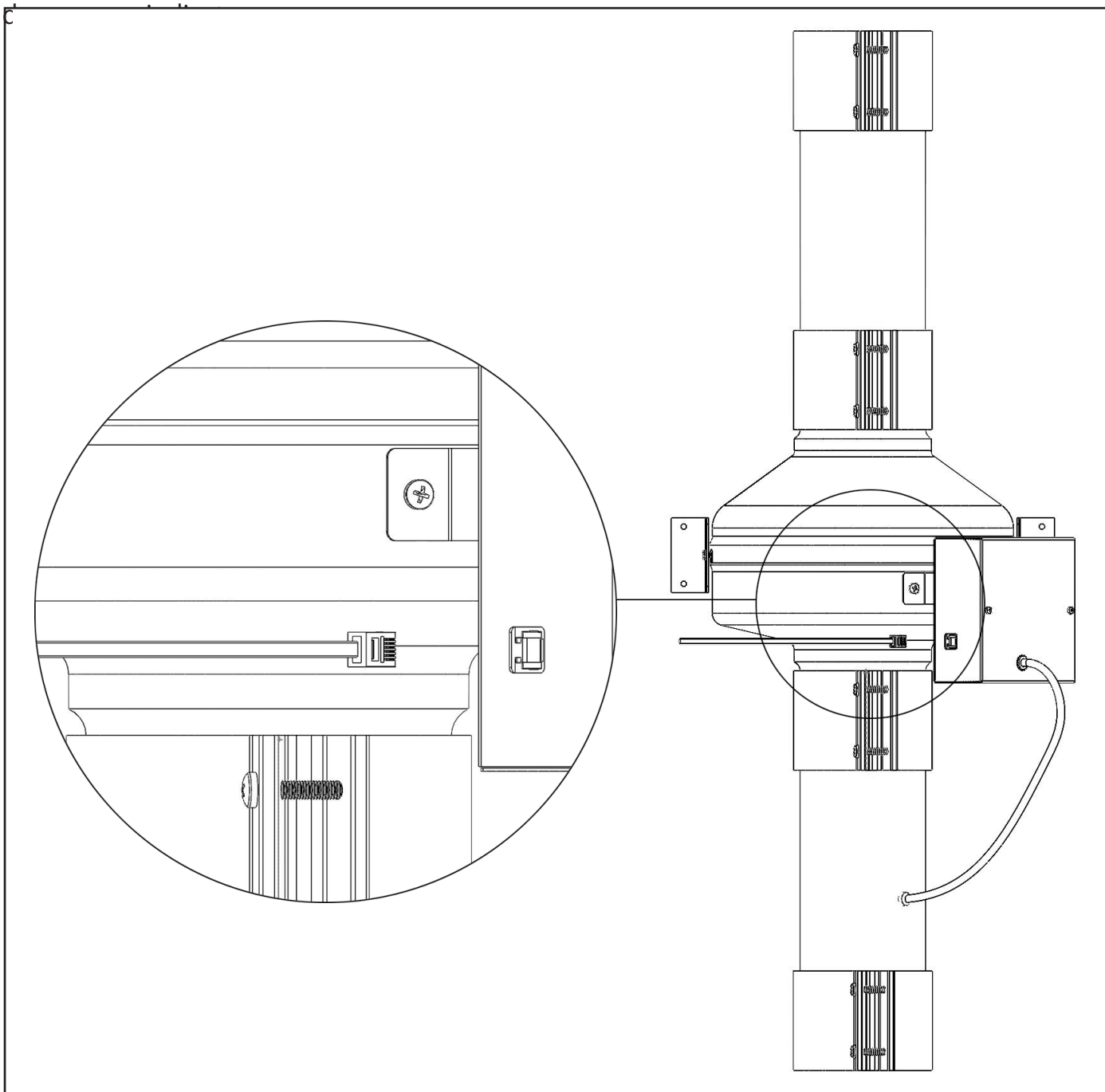
ÉTAPE 3 — Étiquette d'avertissement

Installer l'autocollant d'avertissement à côté du panneau indicateur. Le VTX-DEDPV est équipé d'un panneau indicateur mural à basse tension. Ce panneau indicateur mural est muni d'un

témoin lumineux permettant d’alerter les occupants en cas de défaut.

ÉTAPE 4 — Connecter le câble du panneau indicateur au ventilateur

Connecter les deux extrémités RJ12 du câble de 50’ (15.2 m), une extrémité au connecteur femelle de la boîte de jonction du ventilateur et l’autre extrémité au connecteur femelle à l’arrière



Procédure de calibration du VTX-DEDPV

IMPORTANT — S’assurer que toutes les étapes suivantes sont effectuées avant de brancher le VTX-DEDPV. S’assurer que le VTX-DEDPV et l’ensemble du système de conduits sont entièrement installés et exempts de charpie. (Requis pour un calibrage précis)

- Vérifier que la sècheuse est éteinte.
- Vérifier que tous les filtres à charpie sont vides de charpie et réinstallés dans leur position correctement.
- Vérifier que la sècheuse est vide de vêtements.
- Vérifier que la porte de la sècheuse est bien fermée.
- Alimenter le VTX-DEDPV en branchant le cordon d'alimentation ou en cyclant son circuit d'alimentation.

REMARQUE — Dans les 10 secondes suivant la mise sous tension, le VTX-DEDPV s'allumera et fonctionnera pendant 20 secondes. Cette période de calibrage ne se produira que lorsque le VTX-DEDPV sera mis sous tension pour la première fois. L'indicateur lumineux clignotera en bleu pendant la calibration et s'éteindra ainsi que le moteur une fois la calibration complétée. Le VTX-DEDPV est maintenant calibré et la sècheuse peut être utilisée.

MODE D'ÉTAT DU PANNEAU DE NOTIFICATION

MODE CALIBRAGE (Voyant lumineux bleu clignotant)

MODE DE VENTILATION APPROPRIÉ (Voyant lumineux vert continu).

Lorsque le VTX-DEDPV est allumé, le voyant lumineux vert sera allumé en continu.

MODE ERREUR DE PRESSION (Voyant lumineux orange clignotant)

Si, à tout moment pendant le calibrage ou le cycle de fonctionnement du VTX-DEDPV et la sècheuse, une pression excessive est détectée, le panneau de notification fera clignoter le voyant lumineux orange. Le VTX-DEDPV continuera à fonctionner pour essayer d'éliminer le blocage. Arrêter immédiatement la sècheuse et faire inspecter le conduit de ventilation par une personne qualifiée. L'alimentation du VTX-DEDPV devra être redémarré afin d'effacer l'alarme et le VTX-DEDPV devra être calibré de nouveau. (Voir dépannage pour plus de détails)

MODE PANNE DE CIRCUIT (Voyant lumineux rose clignotant).

Si, à tout moment pendant le calibrage ou le cycle de fonctionnement, le VTX-DEDPV ne fonctionne pas correctement en raison d'une panne de circuit ou de moteur, arrêter immédiatement la sècheuse, couper l'alimentation du VTX-DEDPV et contacter le fabricant.

MODE DÉFAUT DE TEMPÉRATURE (Témoin lumineux rouge clignotant)

Le VTX-DEDPV a un fusible thermique non réarmable qui déclenche lorsque les températures d'échappement dépassent 196°F (91°C) Cette fonction de sécurité est conçue pour empêcher le VTX-DEDPV de fonctionner dans des conditions de séchage anormales/dangereuses. Appeler le support technique pour autorisation avant d'ouvrir le compartiment électrique; vérifier la résistance du protecteur de surcharge thermique.

ENTRETIEN RECOMMANDÉ

Selon l'utilisation, mais au moins tous les ans, nous recommandons de nettoyer la bouche d'évacuation de la sècheuse. Sur une base annuelle, s'assurer que le clapet de la hotte d'évacuation ou le clapet anti-retour est exempt de charpie et bouge librement. Le moteur du VTX-DEDPV est sans entretien. Si le VTX-DEDPV agit de manière erratique, effectuer la procédure de calibrage.

L'hélice du ventilateur peut accumuler du charpie. Une inspection périodique, basée sur l'utilisation de la sécheuse, doit être effectuée pour s'assurer que la roue du ventilateur n'est pas obstruée ou chargée de charpie.

Pour inspecter et nettoyer la turbine :

- Débrancher l'alimentation électrique entrante à la source.
- Desserrer les 4 collets de serrage ADC et retirer les conduits d'extension de 8" (200 mm) de l'entrée et de la sortie du ventilateur ; enlever toute accumulation de charpie sur l'hélice et près de la sortie.
- Reconnecter le conduit au ventilateur. Rallumer l'alimentation pour recalibrer l'appareil (voir calibration).

AVERTISSEMENT — Ne pas souffler dans le tube de prélèvement de pression en direction du circuit imprimé. Le capteur de pression est un appareil très sensible qui peut être détruit s'il est soumis à la pression créée par une personne soufflant à l'intérieur du tube.

DÉPANNAGE

IMPORTANT — TOUS LES MESSAGES D'ERREURS SONT INDIQUÉS PAR UN VOYANT LUMINEUX DE DIFFÉRENTES COULEURS OU PAR L'ABSENCE DE LUMIÈRE SUR LE PANNEAU INDICATEUR. CHACUN DES PROBLÈMES DOIT FAIRE L'OBJET D'UNE ENQUÊTE APPROFONDIE DE LA SÉCHEUSE AINSI QUE DE SON SYSTÈME D'ÉVACUATION PAR UNE PERSONNE QUALIFIÉE TEL QU'INDIQUÉ CI-DESSOUS. EFFECTUER LA PROCÉDURE DE CALIBRAGE DU VTX-DEDPV UNE FOIS L'ENQUÊTE TERMINÉE AFIN D'ÉLIMINER LES MESSAGES D'ERREURS.

Pas de voyant lumineux | Le VTX-DEDPV ne fonctionne pas lorsque la sécheuse fonctionne

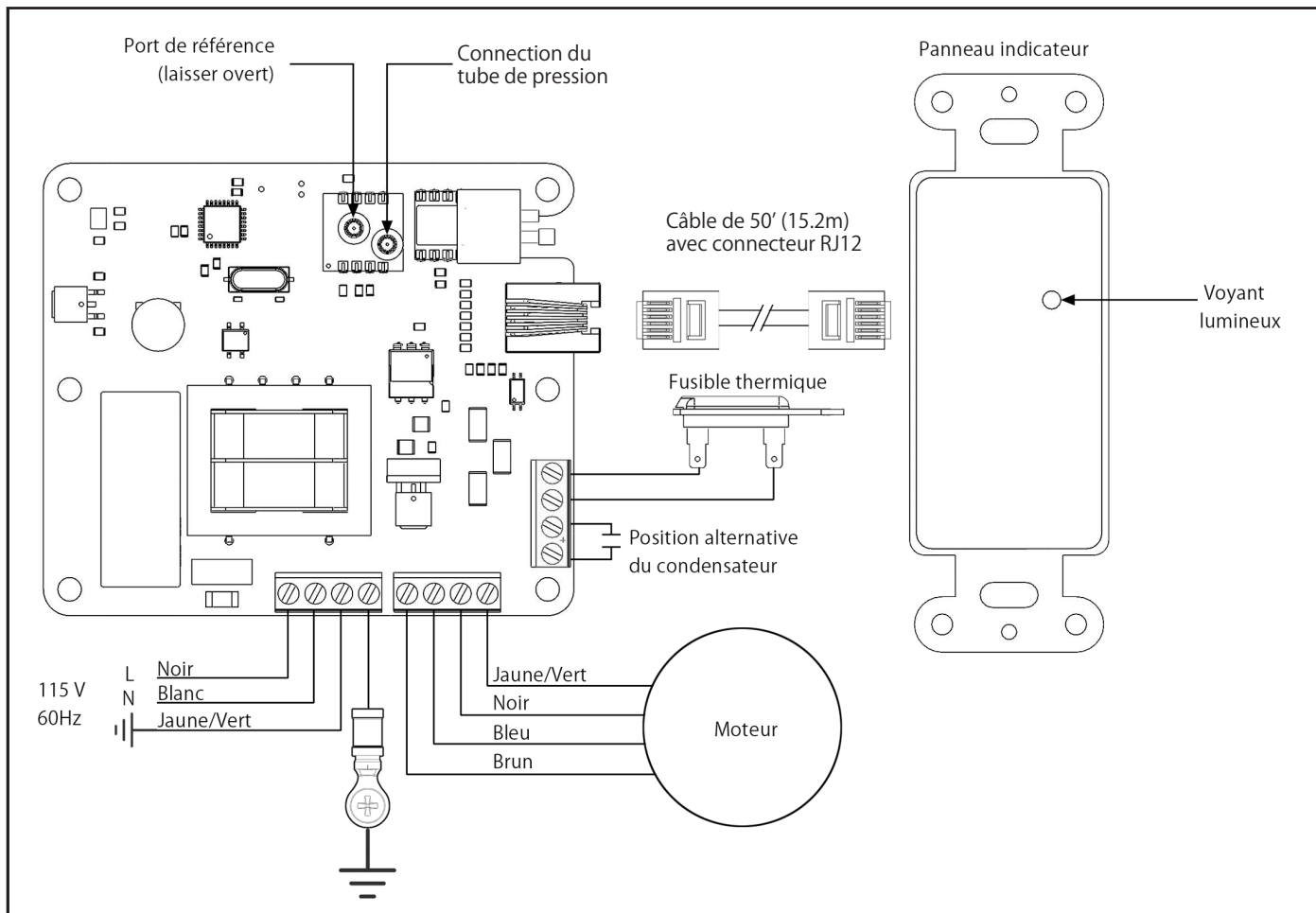
- Le VTX-DEDPV est verrouillé à la sécheuse en détectant la pression à l'intérieur du conduit d'évacuation lorsque la sécheuse est en marche. Remplacer la tubulure si des dommages sont observés.
- Les sécheuses sont équipés de commandes de températures de fonctionnement qui surveillent les températures de séchage. La température d'échappement normale ne doit pas dépasser 167°F (75°C). Si le fusible thermique de sécurité du VTX-DEDPV se déclenche, la sécheuse fonctionne à l'extérieur de ses limites. Contacter le fabricant de la sécheuse et remplacer le VTX-DEDPV.
- Si la sécheuse fonctionne et qu'il n'y a pas de voyant vert sur le panneau indicateur, arrêter immédiatement la sécheuse et faire inspecter le système d'évacuation par une personne qualifiée.

MODE DÉFAUT PRESSION (Voyant lumineux orange clignotant)

Si, à tout moment pendant le calibrage ou le cycle de fonctionnement du VTX-DEDPV et de la sécheuse, il y a une pression positive supérieure à +0.16" W.C. (+39.8 Pa) détecté pendant plus de quatre minutes, le voyant lumineux orange clignotera. Arrêter la sécheuse immédiatement

et faire inspecter le système de ventilation par une personne qualifiée. Ceci est une indication de contre-pression excessive dans le système de ventilation.

SCHÉMA ÉLECTRIQUE



GARANTIE

Garantie de dix (10) ans

Cette garantie remplace toutes les garanties antérieures

PENDANT TOUTE LA PÉRIODE DE GARANTIE — Atmosphère réparera ou remplacera toute pièce présentant un défaut de fabrication ou matériel. Il se peut que le produit doive être retourné à l'usine d'Atmosphère, accompagné d'une copie de la facture d'achat et identifié avec le numéro RMA.

POUR LE RETOUR A L'USINE, IL FAUT :

- Avoir un numéro d'autorisation de retour de matériel (RMA). Ceci peut être obtenu en contactant Atmosphère à l'adresse suivante: info@atmosphère.com.
- 1 800 489.1301- Prière d'avoir une facture d'achat disponible.
- Le numéro RMA doit être clairement inscrit sur la boîte, sinon celui-ci sera refusé.
- Toutes les pièces et/ou produits seront réparés/remplacés et renvoyés à l'acheteur.
Aucun crédit ne sera émis.

OU

Le distributeur peut commander la pièce et/ou le produit sous garantie et être facturé. Le distributeur recevra un crédit égal à la facture uniquement après avoir retourné le produit avec le transport prépayé et vérifié comme étant défectueux.

LES CONDITIONS DE GARANTIE D'ATMOSPHÈRE NE PREVOIENT PAS LE REMPLACEMENT SANS FRAIS AVANT L'INSPECTION DU PRODUIT. LES REMPLACEMENTS ÉMIS AVANT L'INSPECTION DES DÉFECTUOSITÉS SONT FACTURÉS ET LE CRÉDIT EST EN ATTENTE DE L'INSPECTION DU PRODUIT RETOURNÉ. LE PRODUIT DÉFECTUEUX RETOURNÉ PAR LES UTILISATEURS NE DOIVENT PAS ÊTRE REMPLACÉ PAR LE DISTRIBUTEUR SANS FRAIS POUR L'UTILISATEUR CAR LE CRÉDIT AU COMPTE DU DISTRIBUTEUR SERA EN ATTENTE DE L'INSPECTION ET VÉRIFICATION DES DÉFECTUOSITÉS PAR ATMOSPHÈRE.

LES GARANTIES SUIVANTES NE S'APPLIQUENT PAS :

- Dommages dus au transport (cachés ou visibles). La réclamation doit être déposée auprès de la compagnie de transport.
- Dommages résultant d'un branchement ou d'une installation inappropriée.
- Dommages ou défauts causés par des cas de force majeure ou résultant d'une mauvaise procédure d'utilisation, tels que :
 1. Mauvais entretien.
 2. Mauvaise utilisation, abus, utilisation anormale ou accident.
 3. Tension ou courant électrique incorrect.
 4. Retrait ou toute modification apportée au numéro de contrôle de l'étiquette d'Atmosphère ou à la date de fabrication. Toute autre garantie, expresse, implicite ou écrite et à tout dommage, perte de biens, de recettes, manque à gagner ou coûts de remplacements, à l'installation ou à la réinstallation, en cas de violation de garantie.

ANNULATION DE LA GARANTIE

L'utilisateur doit conserver une copie de la facture d'achat pour vérifier la date d'achat. Ces garanties vous donnent des droits légaux spécifiques et sont soumises à la législation applicable en matière de protection des consommateurs. Vous pouvez avoir des droits supplémentaires qui varient d'un État à l'autre.

LIMITES DES GARANTIES ET RESPONSABILITÉS

Cette garantie ne s'applique à aucun produit d'ATMOSPHERE ou à aucune pièce détachée dont la défectuosité relève d'une erreur d'installation ou d'abus ou de mauvaise installation électrique ou dû à des modifications extérieures ou utilisées dans des conditions anormales ou encore une mauvaise installation du produit ou des pièces détachées. Nous n'approuverons aucun remboursement pour des réparations qui ne sont pas effectuées par un agent autorisé sans un accord écrit. Ce dernier constituera notre seule et exclusive garantie et notre seule exclusive responsabilité et tient lieu de toute autre garantie ou bien écrite ou orale implicite ou statuaire. Aucune garantie ne s'appliquera au-delà des descriptions faites de la page ci-dessus. En aucun cas, que ce soit pour une rupture de contrat ou de garanties ou des dommages dus à la négligence ou à des conseils incorrects ou autres causes, Atmosphère ne pourra être tenu pour responsable des dommages particuliers ou consécutifs, incluant mais pas limités aux pertes et profits ou bénéfices perte de matériel ou autres matériels associés. Coût du capital, coût des équipements de remplacement, matériels ou services, coût de temps d'arrêt ou les réclamations des clients pour de tels dommages. Atmosphère ne délègue ou n'autorise aucune personne d'assumer sa responsabilité sur la vente du produit ou des pièces détachées. Certaines juridictions ne permettent pas l'exclusion de la limitation des dommages accidentels ou consécutifs ainsi ces limitations ci-dessus et les exclusions ne s'appliquent pas à vous.

AVERTISSEMENT — ATMOSPHERE se réserve le droit de faire des changements techniques. Pour de la documentation à jour, veuillez vous référer au www.atmosphère.com