

VTX-DEDPV

Dryer Exhaust Duct Power Ventilator

PROTECT YOUR HOME TODAY

As laundry rooms move to more centralized location in the home, longer and more complicated dryer duct runs are needed. Long and complex duct runs create a rise in static pressure resulting in a built up of lint that can lead to a house fire.

KEY FEATURES

- LED indicator panel for operation status
- Maintains minimum of 1,200 FPM air velocity
- Reduce drying times and energy consumption
- High temperature thermal fuse for safety
- Powered by a backward curved impeller boosting air up to 130'
- Complies with IRC code
- Certified to UL 705 dryer exhaust duct power ventilator suitable for gas & electric dryers
- All metal housing with a powder coat finish ensuring long lasting rust protection
- Quick connect duct clamps and duct section for easy maintenance
- Automatically energizes when the dryer begins to operate No user interaction necessary!
- 10 year warranty

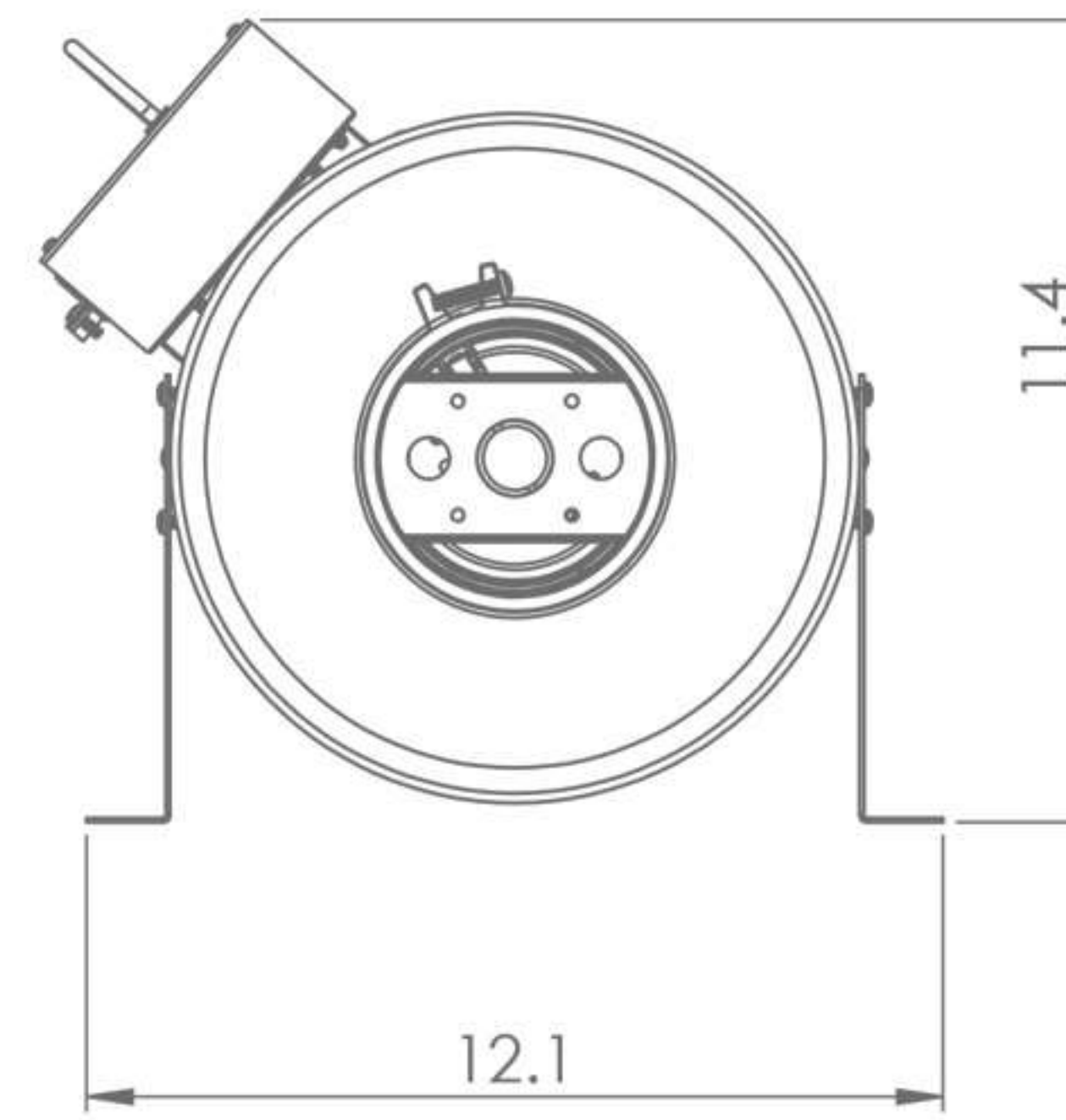
GO THE EXTRA MILE

No matter how you're mitigating dryer exhaust, we recommend going the extra mile by installing an LT4 secondary lint trap which extends the maintenance cycle of cleaning out the exhaust duct.

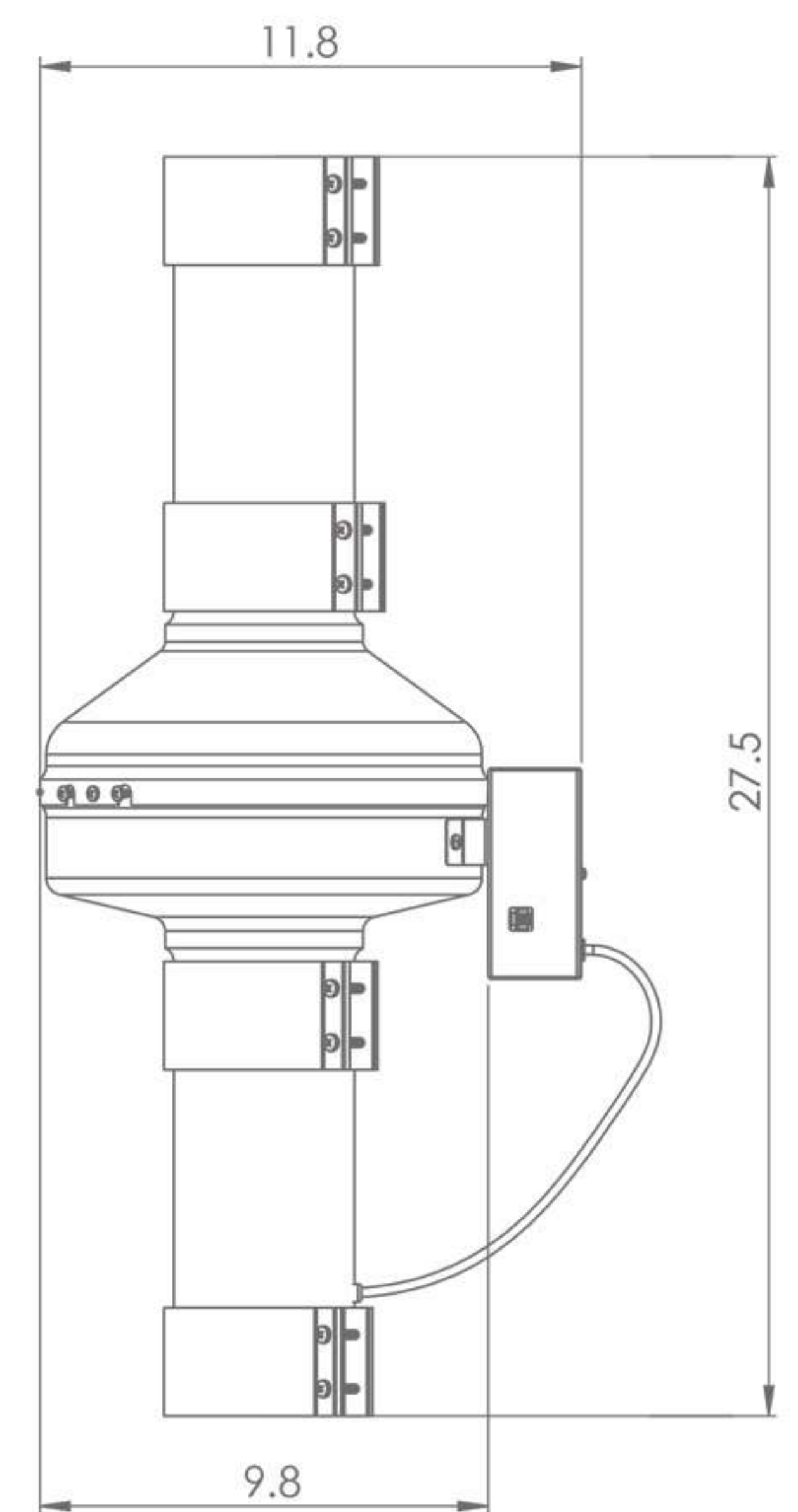


VTX-DEDPV Features

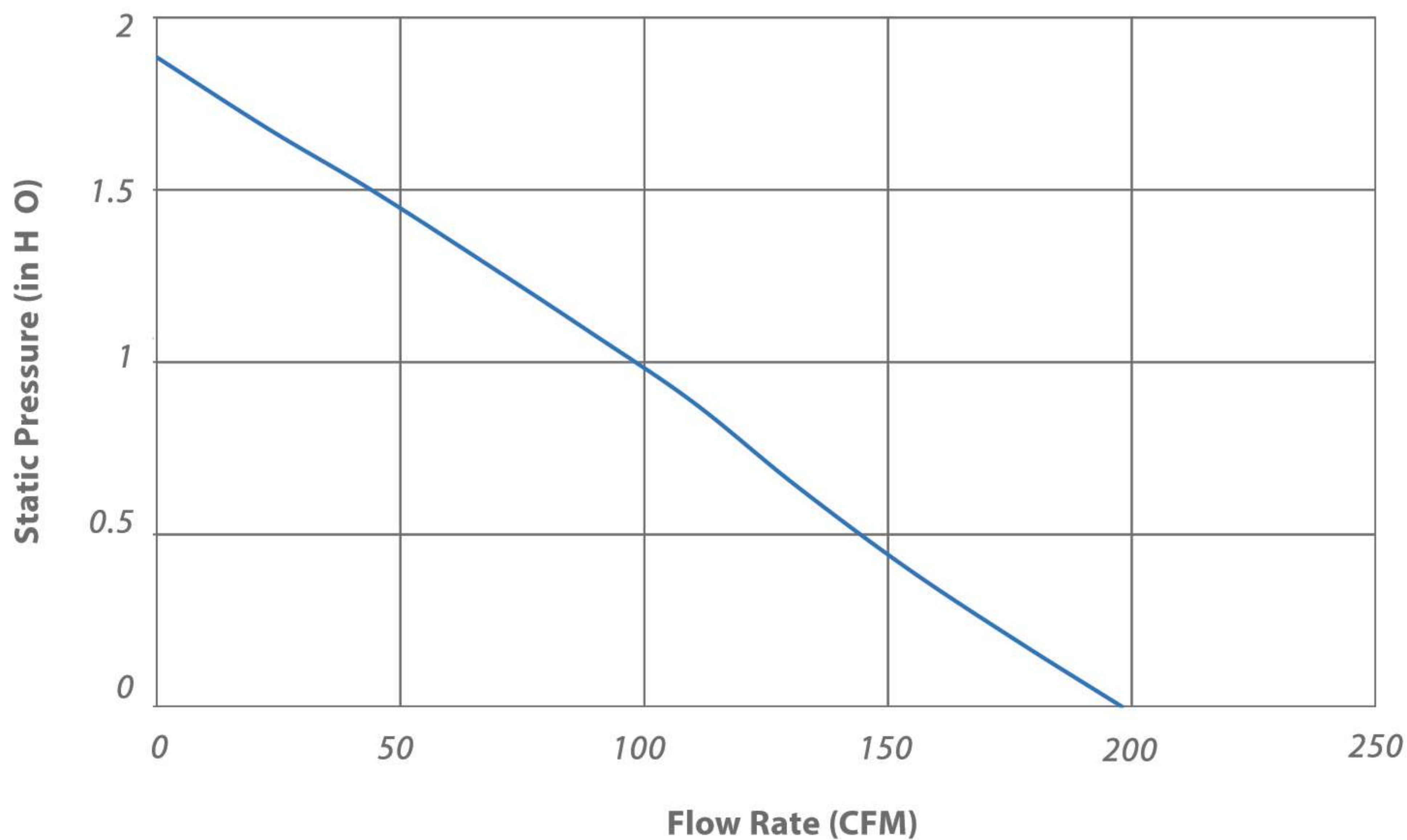
- The dryer booster automatically energizes when the dryer is operated.
- A LED light on the remote panel indicates proper fan operation to the dryer operator as well as notifies in the event of a problem.
- The VTX-DEDPV monitors the internal pressure, it will detect and notify the homeowner in the event of a blockage.
- A thermal fuse will shut down the fan in case of a dryer fire.
- Aerodynamic design allowing more air flow
- Prewired with 120V 6' power cord
- AMCA Air Listed



VTX-DEDPV View & Sizes



VTX-DEDPV Performance Graph



VTX-DEDPV

ALL VTX PRODUCTS INCORPORATE MOTORS SUITABLE FOR 120 Volts AC 60Hz ELECTRICAL SUPPLY ONLY

| Duct Dia. | RPM | Volts | Rated Watts | Max Amps | Static Pressure in Inches W.G. | | | | | | | | | | Max Ps | |
|-----------|------|-------|-------------|----------|--------------------------------|--------|------|-------|--------|------|-------|----|-------|------|--------|--------|
| | | | | | 0" | 0.125" | 0.2" | 0.25" | 0.375" | 0.5" | 0.75" | 1" | 1.25" | 1.5" | | 2" |
| 4" | 2970 | 120 | 68 | 0.56 | 198 | 184 | 175 | 169 | 156 | 143 | 121 | 96 | 69 | 41 | 0 | 1.852" |

Performance certified is for installation type D - Ducted inlet, Ducted outlet. Speed (RPM) shown is nominal. Performance is based on actual speed of test. Performance ratings include the effects of appurtenances (accessories) Inlet Duct, Inlet Bell, Outlet Duct



Atmosphere Inc. certify that the models shown herein are licensed to bear the AMCA Seal. The ratings are based on tests and procedures performed in accordance with AMCA Publication 211 and comply with the requirements of the AMCA Certified Ratings Program.



WHERE INNOVATION IS A STANDARD

WWW.ATMOSPHERE.COM



CONFORMS TO
UL 705 and
CSA C22.2
no.113
clause 12



September 2023
Item #: QMS-CAT-VTX-DEDPV-001