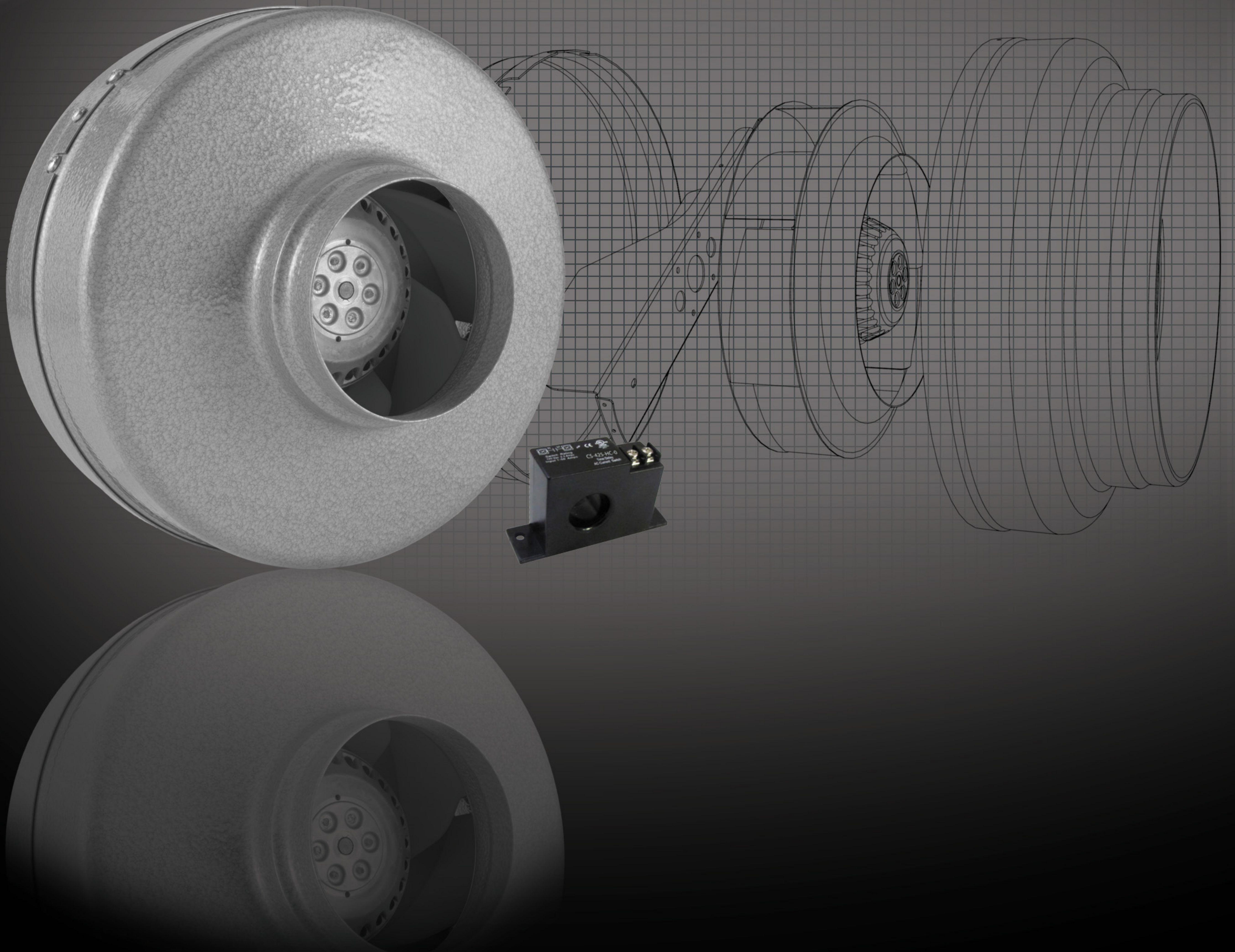


VORTEX[®]
POWERFANS
High Performance Inline Duct Blowers

VTX400C

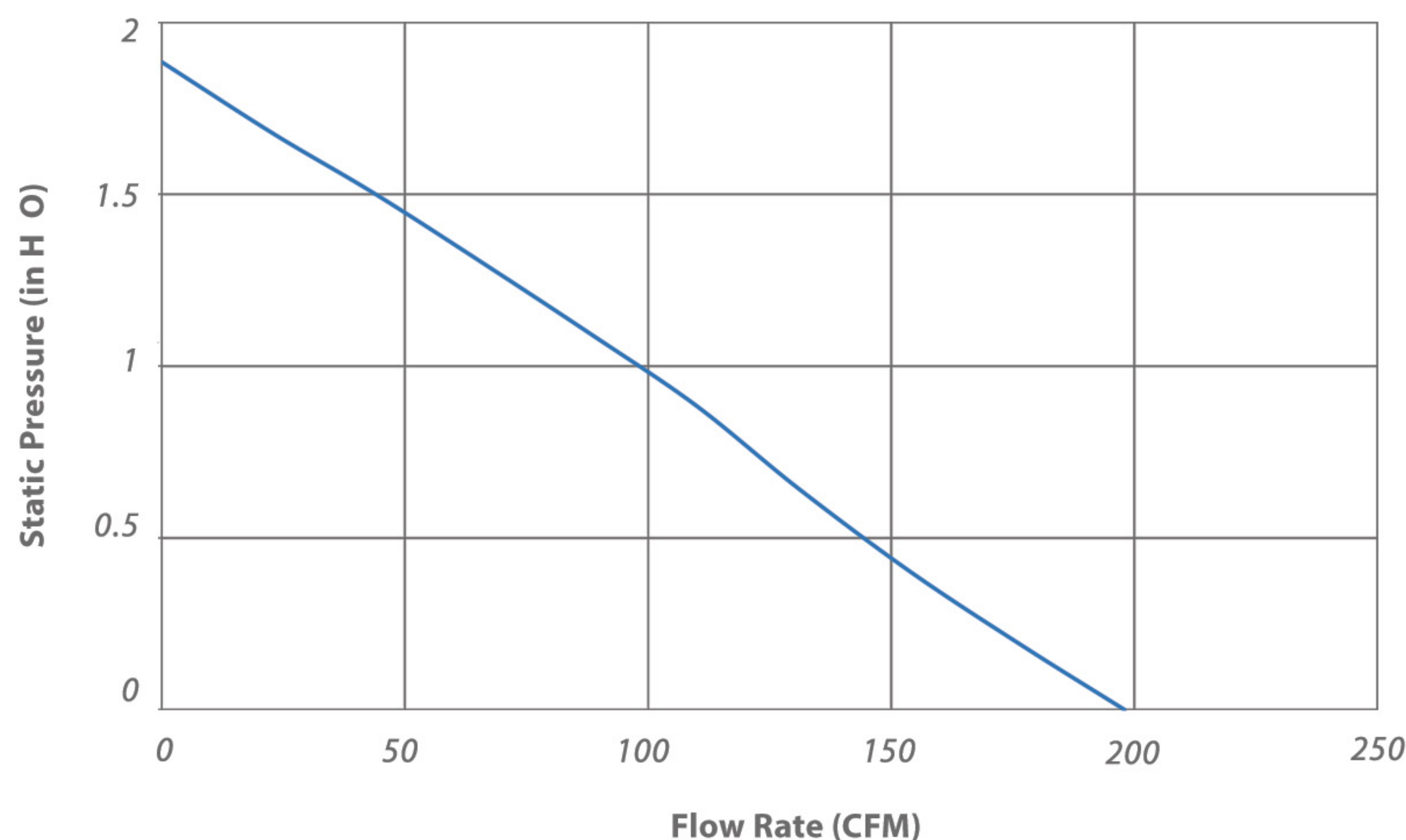


III DUCT BOOSTING SOLUTIONS III



Vortex Powerfans VTX400C duct booster fan, for 4 in diameter duct, is ideal for solving the problems caused by long duct runs. When the interlock device is turned on, the VTX400C will automatically turn on. The VTX400C is supplied with a current sensor that detects when the interlock device is turned on to activate the fan automatically. The current sensor is available with either zero, five, ten or fifteen minute turn off time delay.

VTX400C Performance Graph



VTX400C

ALL VTX PRODUCTS INCORPORATE MOTORS SUITABLE FOR 120 Volts AC 60Hz ELECTRICAL SUPPLY ONLY

Duct Dia.	RPM	Volts	Rated Watts	Max Amps	Static Pressure in Inches W.G.												Max Ps
					0"	0.125"	0.2"	0.25"	0.375"	0.5"	0.75"	1"	1.25"	1.5"	2"		
4"	2970	120	68	0.56	198	184	175	169	156	143	121	96	69	41	0	1.852"	

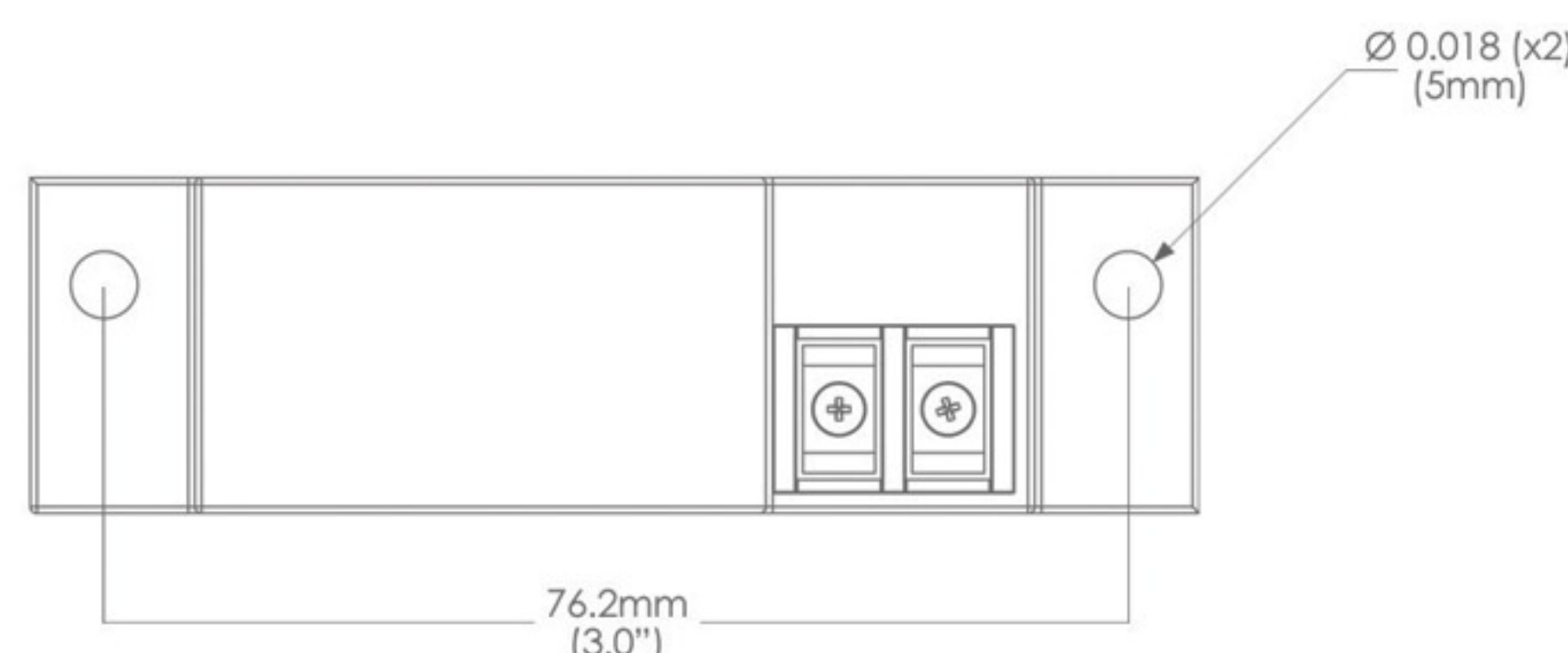
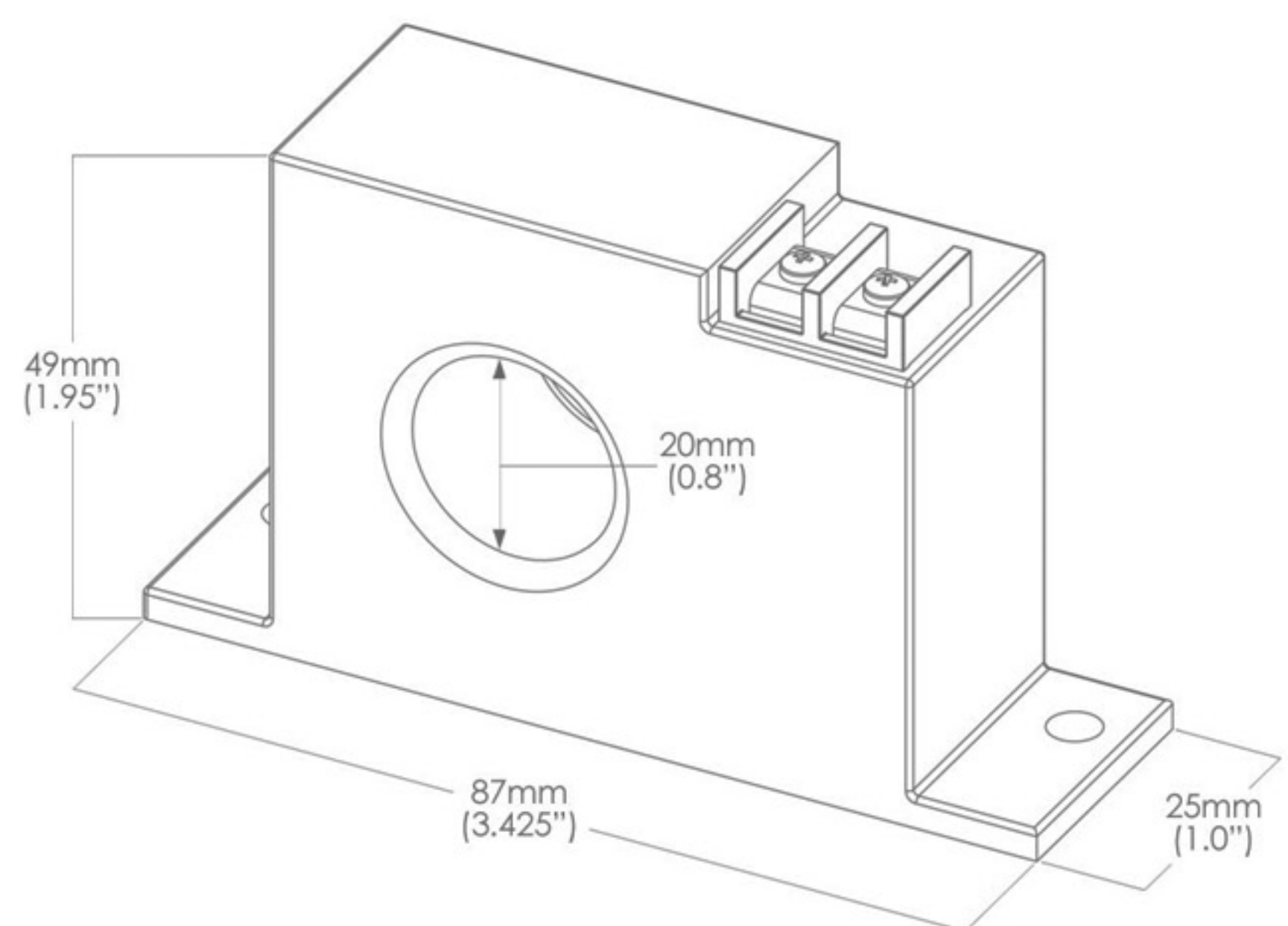
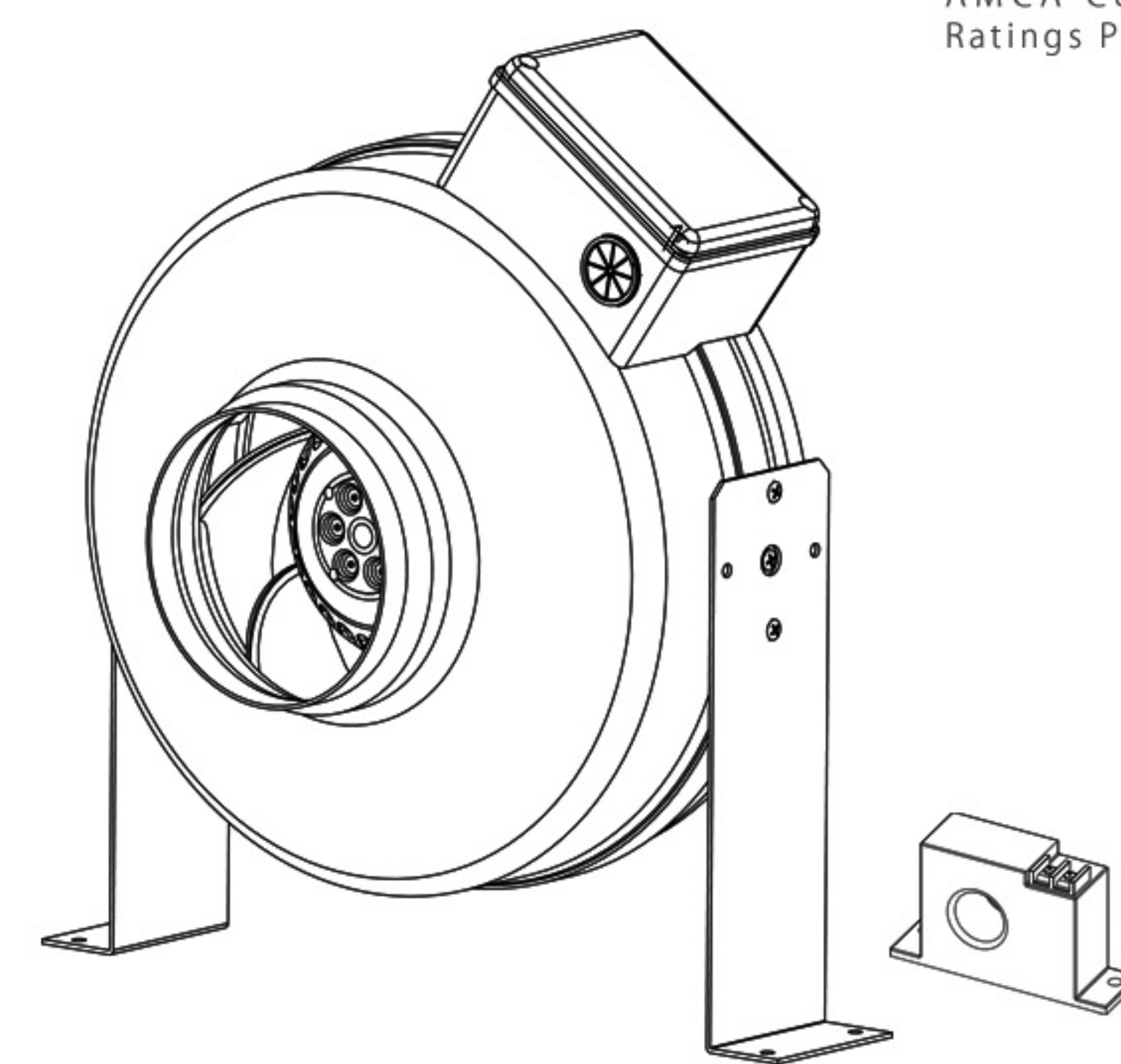
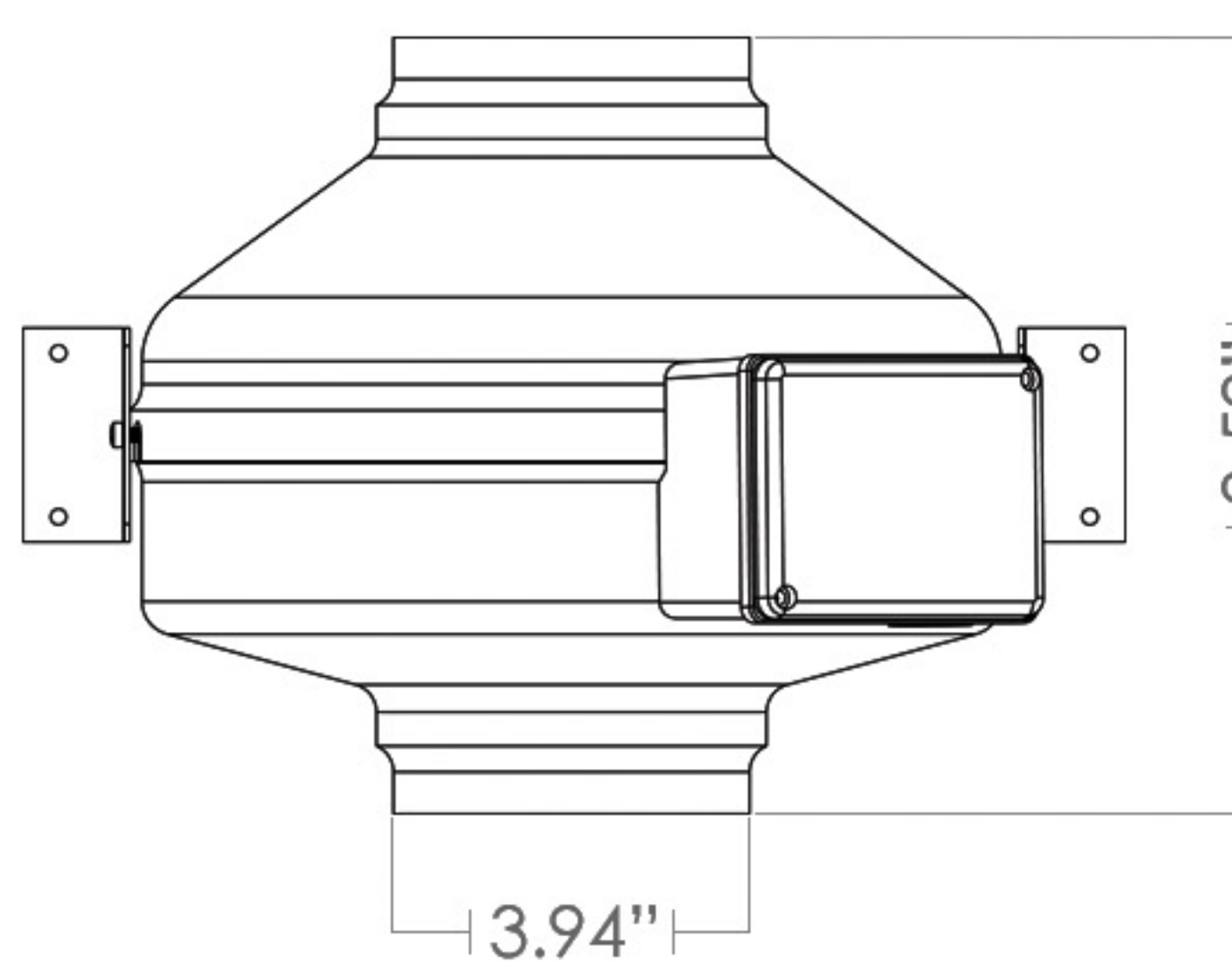
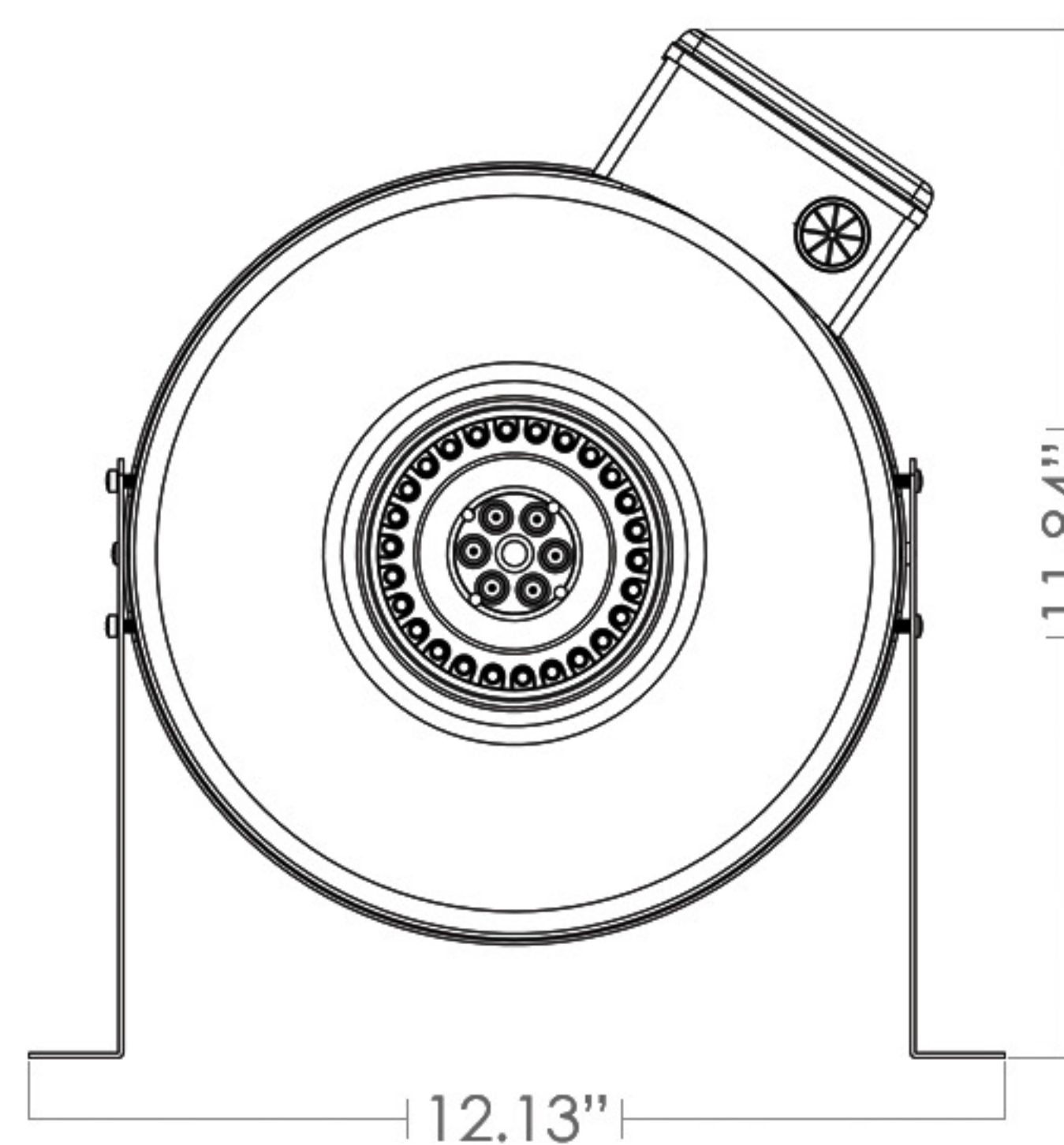
Performance certified is for installation type D - Ducted inlet, Ducted outlet. Speed (RPM) shown is nominal. Performance is based on actual speed of test. Performance ratings include the effects of appurtenances (accessories) Inlet Duct, Inlet Bell, Outlet Duct



Atmosphere Inc. certify that the models shown herein are licensed to bear the AMCA Seal. The ratings are based on tests and procedures performed in accordance with AMCA Publication 211 and comply with the requirements of the AMCA Certified Ratings Program.

VTX400C Weight & Dimensions

Weight: 7.4 lbs.



WHERE INNOVATION IS A STANDARD

WWW.ATMOSPHERE.COM

CONFORMS TO
UL 507 and
CSA C22.2
no. 113



September 2023
Item #: QMS-CAT-VTX400C-001