

# Submittal Sheet

## VTX400C

Duct Booster Fan

### Standard Features

*Aerodynamic design allowing more air flow*

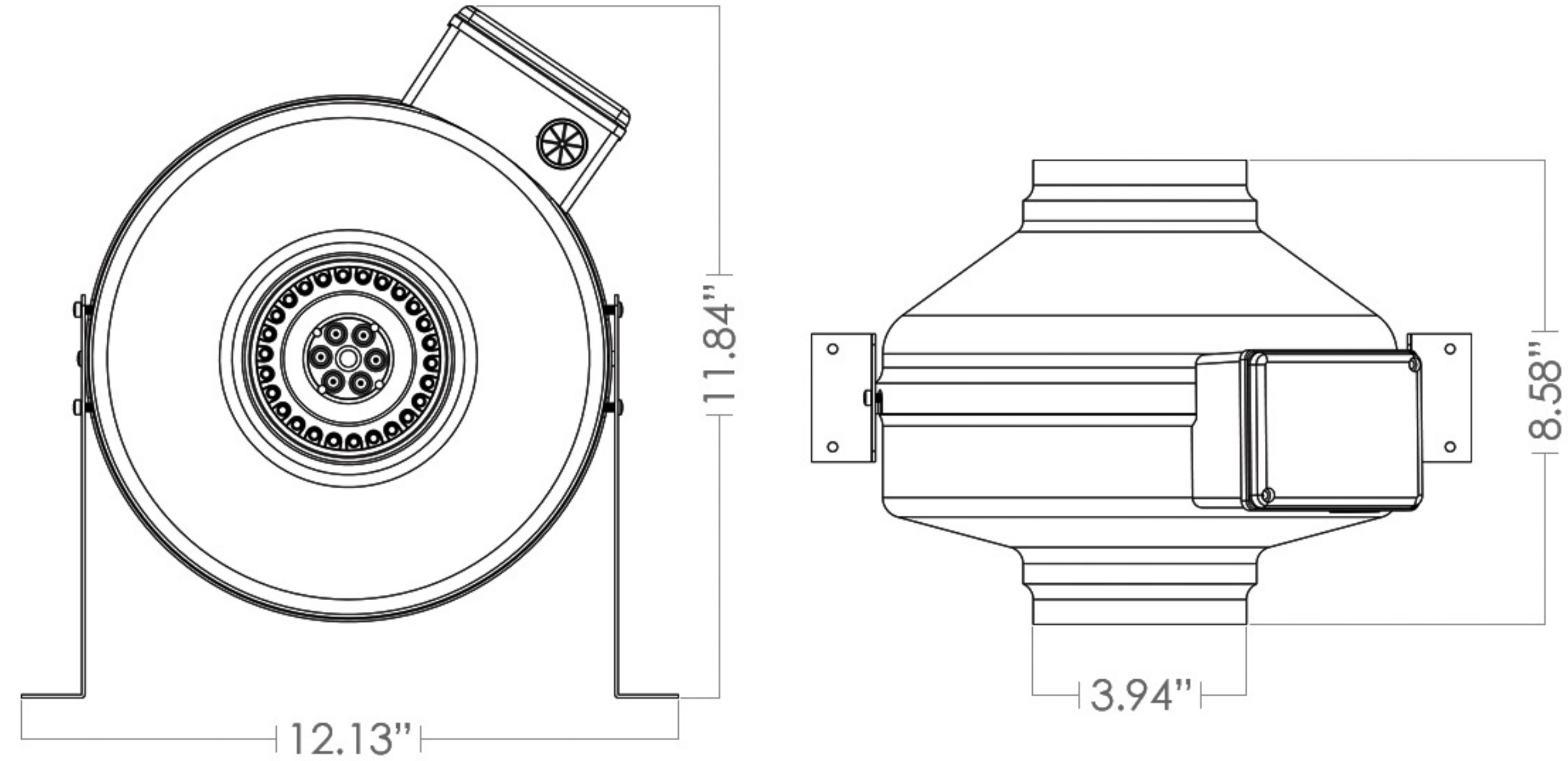
*Heavy gage steel casing with a Hammertone powder coat finish, making it more sound absorbing, durable, impact resistant and rustproof*

*High quality maintenance-free balanced motor, making it vibration free, quieter and longer lasting*

*10 year manufacturers warranty*

*The VTX400C is supplied with a current sensor that detects when the interlocked device is turned on to activate the fan automatically*

*The current sensor is available either with or without a turn-off time delay ranging from 0 to 15 minutes.*



## VTX400C

ALL VTX PRODUCTS INCORPORATE MOTORS SUITABLE FOR 120 Volts AC 60Hz ELECTRICAL SUPPLY ONLY

Duct Dia.	RPM	Volts	Rated Watts	Max Amps	Static Pressure in Inches W.G.										Max Ps	
					0"	0.125"	0.2"	0.25"	0.375"	0.5"	0.75"	1"	1.25"	1.5"		2"
4"	2970	120	68	0.56	198	184	175	169	156	143	121	96	69	41	0	1.852"

*Performance certified is for installation type D - Ducted inlet, Ducted outlet. Speed (RPM) shown is nominal. Performance is based on actual speed of test. Performance ratings include the effects of appurtenances (accessories) Inlet Duct, Inlet Bell, Outlet Duct*

Fan Specifications						Motor Specifications			
Fan Model	Qty	CFM	SP	RPM	Sones	Watts	Volts	Phase	Hertz

Accessories	1	2	3	4	Remarks

Project \_\_\_\_\_ Submitted \_\_\_\_\_  
 Customer \_\_\_\_\_ Approved \_\_\_\_\_  
 Location \_\_\_\_\_