

**VORTEX[®]**
POWERFANS
High Performance Inline Duct Blowers

VTX400P



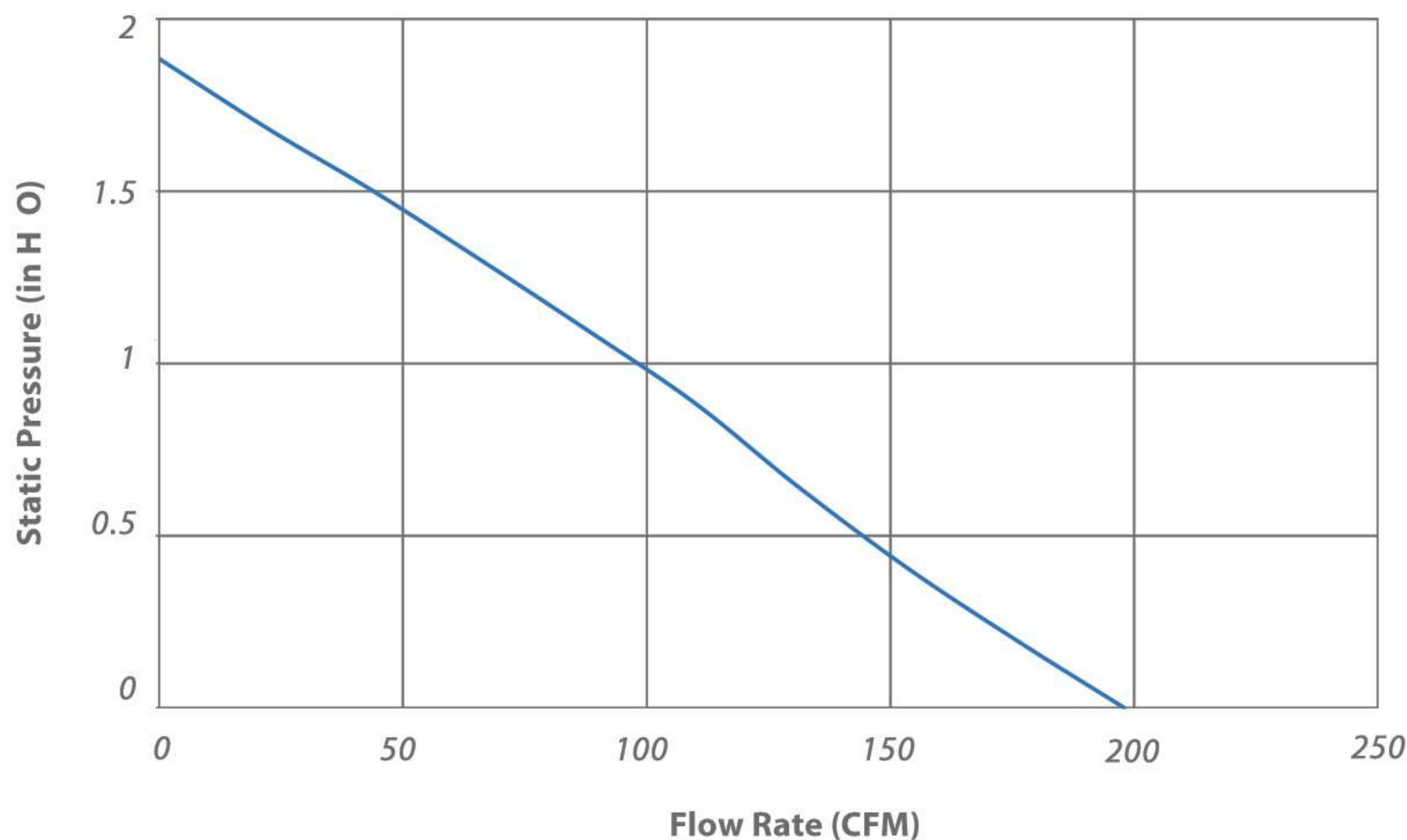
III DUCT BOOSTING SOLUTIONS III



Vortex Powerfans VTX400P duct booster fan, for 4 in diameter duct, is ideal for solving the problems caused by long duct runs. The VTX400P has a built-in automatic pressure switch that detects when air is flowing through the ventilation duct. The VTX400P automatically turns on for a period of 10 minutes and shuts off for a period of 1 minute and turns back on if there is still positive pressure in the duct.

The pressure switch is equipped with an adjustment screw that can increase or decrease its sensibility to facilitate the unit's installation and solve diaphragm orientation issues.

VTX-400P Performance Graph



VTX400P

ALL VTX PRODUCTS INCORPORATE MOTORS SUITABLE FOR 120 Volts AC 60Hz ELECTRICAL SUPPLY ONLY

Duct Dia.	RPM	Volts	Rated Watts	Max Amps	Static Pressure in Inches W.G.											Max Ps
					0"	0.125"	0.2"	0.25"	0.375"	0.5"	0.75"	1"	1.25"	1.5"	2"	
4"	2970	120	68	0.56	198	184	175	169	156	143	121	96	69	41	0	1.852"

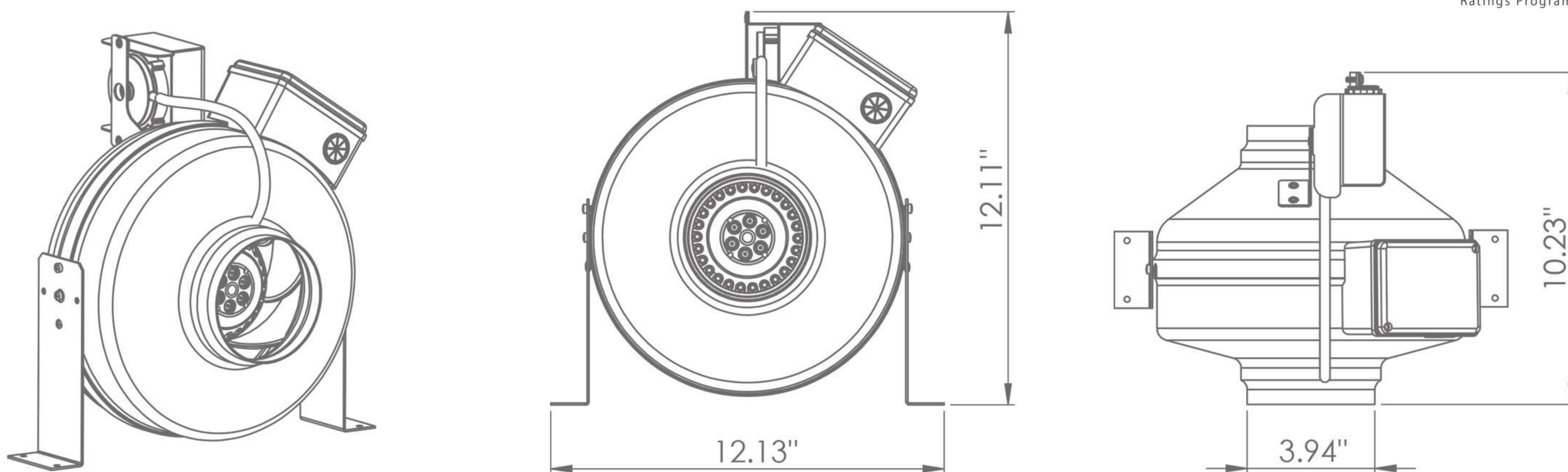
Performance certified is for installation type D - Ducted inlet, Ducted outlet. Speed (RPM) shown is nominal. Performance is based on actual speed of test. Performance ratings include the effects of appurtenances (accessories) Inlet Duct, Inlet Bell, Outlet Duct



Atmosphere Inc. certify that the models shown herein are licensed to bear the AMCA Seal. The ratings are based on tests and procedures performed in accordance with AMCA Publication 211 and comply with the requirements of the AMCA Certified Ratings Program.

VTX400P Weight & Dimensions

Weight: 8.4 Lbs.



WHERE INNOVATION IS A STANDARD

WWW.ATMOSPHERE.COM

CONFORMS TO
UL 507 and
CSA C22.2
no.113



September 2023

Item #: QMS-CAT-VTX400P-001

