

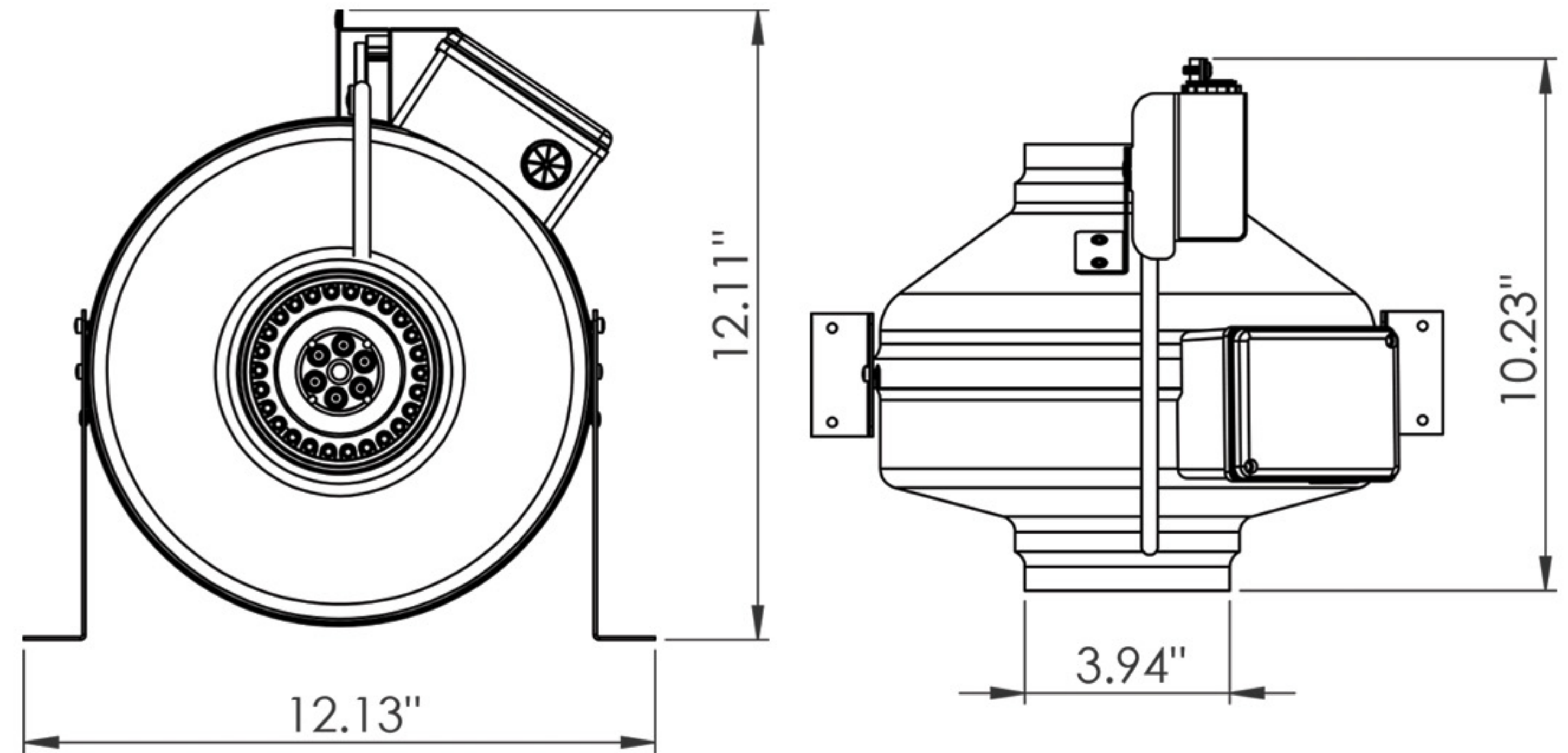
# Submittal Sheet

## VTX400P

Duct Booster Fan

### Standard Features

- The VTX400P has a built-in automatic pressure switch that detects when air is flowing through the ventilation duct.
- The VTX400P automatically turns on for a period of 10 minutes and shuts off for a period of 1 minute and turns back on if there is still positive pressure in the duct.
- The pressure switch sensitivity is adjustable from 0.0" W.C. to 0.230" W.C. ± 0.02" W.C.
- Factory preset point: 0.05" +0.03"-0.00 W.C.
- Heavy gage steel casing with a Hammertone powder coat finish, making it more sound absorbing, durable, impact resistant and rustproof
- 10 year manufacturer's warranty



### VTX400P

ALL VTX PRODUCTS INCORPORATE MOTORS SUITABLE FOR 120 Volts AC 60Hz ELECTRICAL SUPPLY ONLY

| Duct Dia. | RPM  | Volts | Rated Watts | Max Amps | Static Pressure in Inches W.G. |        |      |       |        |      |       |    |       |      | Max Ps |        |
|-----------|------|-------|-------------|----------|--------------------------------|--------|------|-------|--------|------|-------|----|-------|------|--------|--------|
|           |      |       |             |          | 0"                             | 0.125" | 0.2" | 0.25" | 0.375" | 0.5" | 0.75" | 1" | 1.25" | 1.5" |        | 2"     |
| 4"        | 2970 | 120   | 68          | 0.56     | 198                            | 184    | 175  | 169   | 156    | 143  | 121   | 96 | 69    | 41   | 0      | 1.852" |

Performance certified is for installation type D - Ducted inlet, Ducted outlet. Speed (RPM) shown is nominal. Performance is based on actual speed of test. Performance ratings include the effects of appurtenances (accessories) Inlet Duct, Inlet Bell, Outlet Duct

| Fan Specifications |     |     |    |     |       | Motor Specifications |       |       |       |  |
|--------------------|-----|-----|----|-----|-------|----------------------|-------|-------|-------|--|
| Fan Model          | Qty | CFM | SP | RPM | Sones | Watts                | Volts | Phase | Hertz |  |
|                    |     |     |    |     |       |                      |       |       |       |  |
|                    |     |     |    |     |       |                      |       |       |       |  |
|                    |     |     |    |     |       |                      |       |       |       |  |

| Accessories | 1 | 2 | 3 | 4 | Remarks |
|-------------|---|---|---|---|---------|
|             |   |   |   |   |         |
|             |   |   |   |   |         |
|             |   |   |   |   |         |

Project \_\_\_\_\_ Submitted \_\_\_\_\_  
 Customer \_\_\_\_\_ Approved \_\_\_\_\_  
 Location \_\_\_\_\_