

Submittal Sheet

VTX Series

Inline Centrifugal Fans

Standard Features

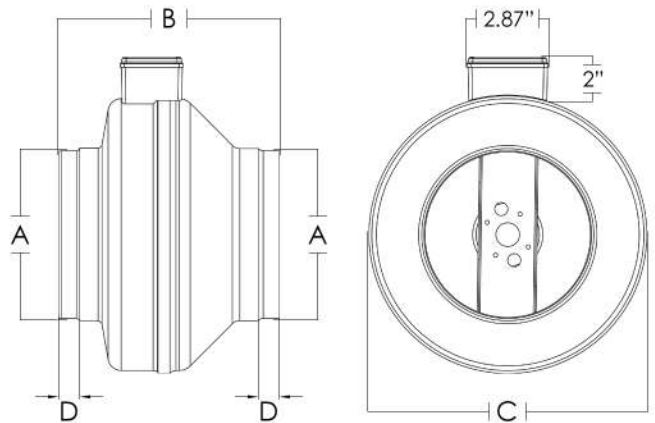
- Brackets included for wall or ceiling mount
- Permanently lubricated sealed bearings
- External rotor motor with automatic reset thermal overload protection
- Suitable for airstream temperatures up to 140°F (60°C)
- 10 year manufacturers warranty
- ETL Listed
- 4" to 12" duct diameters
- From 198 to 1124 CFM
- Aerodynamic design allowing more air flow
- 100% speed controllable easing air flow adjustment
- Prewired with 120V power cord
- AMCA Air Listed

VTX Series Dimensional Data

Fan Model	A	B	C	D	Ship Wt	Metal Gauge
VTX400	4.0	8.5	9.5	1.0	8.6	18
VTX500	5.0	8.5	9.5	1.0	8.4	18
VTX600L	6.0	8.5	9.5	1.0	8.4	18
VTX600	6.0	10.5	13.0	1.0	13.8	18
VTX800L	8.0	10.5	13.0	1.0	15.0	18
VTX800	8.0	10.5	13.0	1.0	15.0	18
VTX1000	10.0	10.5	13.0	1.0	15.2	18
VTX1200L	12.0	12.3	16.0	1.0	18.6	18
VTX1200	12.0	12.3	16.0	1.0	18.0	18

All dimensions in inches

Weights in pounds



VTX Series Performance Data

FAN MODEL	Duct Dia.	RPM	Volts	Rated Watts	Max Amps	Static Pressure in Inches W.G.											Max Ps
						0"	0.125"	0.2"	0.25"	0.375"	0.5"	0.75"	1"	1.25"	1.5"	2"	
VTX400	4"	2970	120	69	0,57	198	184	175	170	157	144	122	98	71	15	---	1.885"
VTX500	5"	2940	120	69	0,57	227	210	199	191	172	155	129	105	76	48	---	1.901"
VTX600L	6"	2950	120	70	0,58	278	256	244	237	215	191	152	117	82	50	---	1.803"
VTX600	6"	3050	120	140	1,28	497	477	465	456	434	411	364	318	273	229	136	2.744"
VTX800L	8"	3000	120	196	1,62	651	621	602	588	555	513	416	349	294	245	162	2.856"
VTX800	8"	3060	120	260	2,29	739	703	681	667	628	591	531	468	408	357	268	3.042"
VTX1000	10"	3070	120	273	2,28	791	748	723	706	664	624	555	489	431	378	280	3.044"
VTX1200L	12"	2970	120	272	2,26	892	864	846	833	799	761	677	590	510	442	313	2.958"
VTX1200	12"	2820	120	393	3,26	1124	1090	1067	1051	1006	954	845	733	631	549	404	3.503"

Performance certified is for installation type D - Ducted inlet, Ducted outlet. Speed (RPM) shown is nominal. Performance is based on actual speed of test. Performance ratings include the effects of appurtenances (accessories) Inlet Duct, Inlet Bell, Outlet Duct

VTX Series Fan Specifications

Fan Tag	Fan Model	Qty	CFM	SP	Accessories	Remarks

Project _____ Submitted _____
 Customer _____ Approved _____
 Location _____



WWW.ATMOSPHERE.COM
info@atmosphere.com

